



Distributed by: McLean Parts
5736 N. Michigan Rd.
Indianapolis, IN 46228
317-257-6811, fax 317-257-1590
www.mcleanparts.com



GENESIS™
AIR CONDITIONERS
ALL MODELS

INSTRUCTION MANUAL

DESIGN WITH CONFIDENCE™

TABLE OF CONTENTS

RECEIVING THE AIR CONDITIONER.....	3
HANDLING AND TESTING THE AIR CONDITIONER	3
INSTALLATION INSTRUCTIONS.....	4
M13 Design Data.....	5
M13 Dimensional Drawing.....	5
M13 Mounting Gasket and Cutout Dimensions.....	5
M13 Components List.....	6
M13 Schematic and Wire Diagram, 115/230 Volt 1000 BTU	7
M17 Design Data.....	8
M17 Dimensional Drawing.....	8
M17 Mounting Gasket and Cutout Dimensions.....	8
M17 Components List.....	9
M17 Schematic and Wire Diagram, 115/230 Volt 1800 BTU	10
M28 Design Data.....	11
M28 Dimensional Drawing.....	11
M28 Mounting Gasket and Cutout Dimensions.....	12
M28 Components List.....	13
M28 Schematic and Wire Diagram, 115/230 Volt, 2200 BTU	14
M28 Schematic and Wire Diagram, 115/230 Volt, 4000 BTU & 230 Volt 6000 BTU.....	15
M28 Schematic and Wire Diagram, 115 Volt, 6000 BTU	15
M33 Design Data.....	16
M33 Dimensional Drawing.....	16
M33 Mounting Gasket and Cutout Dimensions.....	17
M33 Components List.....	18
M33 Wire Diagram and Schematic, 115 V, 4000 BTU	19
Wire Diagram, 230 V, 4000 BTU	19
M36 Design Data.....	20
M36 Dimensional Drawing.....	20
M36 Mounting Gasket and Cutout Dimensions.....	21
M36 Components List.....	22
M36 Schematic and Wire Diagram, 115/230 Volt 6000 BTU	22
M52 Design Data.....	23
M52 Dimensional Drawing.....	23
M52 Mounting Gasket and Cutout Dimensions.....	24
M52 Components List.....	25
M52 Schematic and Wire Diagram, 115 Volt 10000 and 12000 BTU.....	26
M52 Schematic and Wire Diagram, 115/230 Volt 6000/8000 BTU and 230 Volt 10000/12000 BTU	26
MHB11 Design Data	27
MHB11 Dimensional Drawing.....	27
MHB11 Mounting Gasket and Cutout Dimensions.....	28
MHB11 Components List	29
MHB11 Schematic and Wire Diagram, 115 and 230 Volt, 2200 BTU	30
MHB11 Schematic and Wire Diagram, 115/230 Volt, 4000 BTU	30
TEMPERATURE CONTROL.....	32
PRINCIPLES OF OPERATION.....	32
MAINTENANCE	32
Compressor	32
Inlet Air Filter.....	32
How To Remove, Clean or Install a New Inlet Air Filter.....	33
Condenser and Evaporator Air Movers	33
Refrigerant Loss.....	33
TROUBLE SHOOTING	34
Basic Air Conditioning Trouble Shooting Check List	34
Symptoms and Possible Causes:.....	35
WARRANTY	38
RETURN AND REPAIR POLICY	38
LIMITATION OF LIABILITY	39

NOTE: Some of the information in this manual may not apply if a special unit was ordered. If additional drawings for a special unit are necessary, they have been inserted. Contact Pentair Equipment Protection if further information is required.

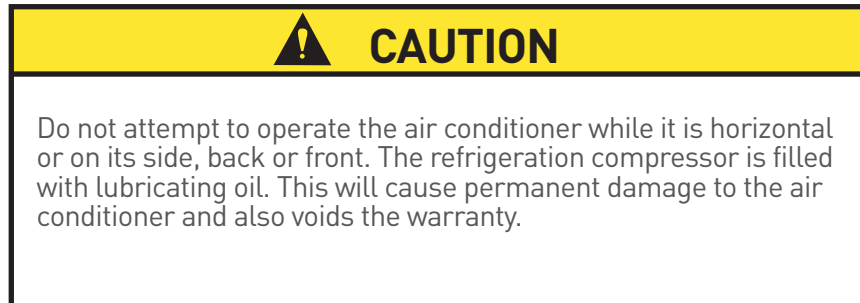
RECEIVING THE AIR CONDITIONER

Inspect the air conditioner. Check for concealed damage that may have occurred during shipment. Look for dents, scratches, loose assemblies, evidence of oil, etc. Damage evident upon receipt should be noted on the freight bill. Damage should be brought to the attention of the delivering carrier -- NOT to Pentair Equipment Protection -- within 15 days of delivery. Save the carton and packing material and request an inspection. Then file a claim with the delivering carrier.

Pentair Equipment Protection cannot accept responsibility for freight damages; however, we will assist you in any way possible.

HANDLING AND TESTING THE AIR CONDITIONER

If the air conditioner has been in a horizontal position, be certain it is placed in an upright, vertical or mounting position for a minimum of five (5) minutes before operating.



TEST FOR FUNCTIONALITY BEFORE MOUNTING THE AIR CONDITIONER TO THE ENCLOSURE.

Refer to the nameplate for proper electrical current requirements, and then connect the power cord to a properly grounded power supply. Minimum circuit ampacity should be at least 125% of the amperage shown in the design data section for the appropriate model. No other equipment should be connected to this circuit to prevent overloading.

Operate the air conditioner for five (5) to ten (10) minutes. No excessive noise or vibration should be evident during this run period. The condenser blower (ambient air), the evaporator blower (enclosure air), and the compressor should be running.

Condenser air temperatures should be warmer than normal room temperatures within a few minutes.

The compressor is provided with automatic reset thermal overload protection. This thermo-switch is located and mounted inside the plastic enclosure clipped to the compressor. The switch operates when the compressor overheats due to clogged or dirty inlet air filter or if ambient air temperatures exceed nameplate rating or if enclosure dissipated heat loads exceed the rated capacity of the air conditioner. The thermal overload switch will actuate and stop compressor operation. The blowers will continue to operate and the compressor will restart after it has cooled to within the thermal overload cut-in temperature setting.

INSTALLATION INSTRUCTIONS

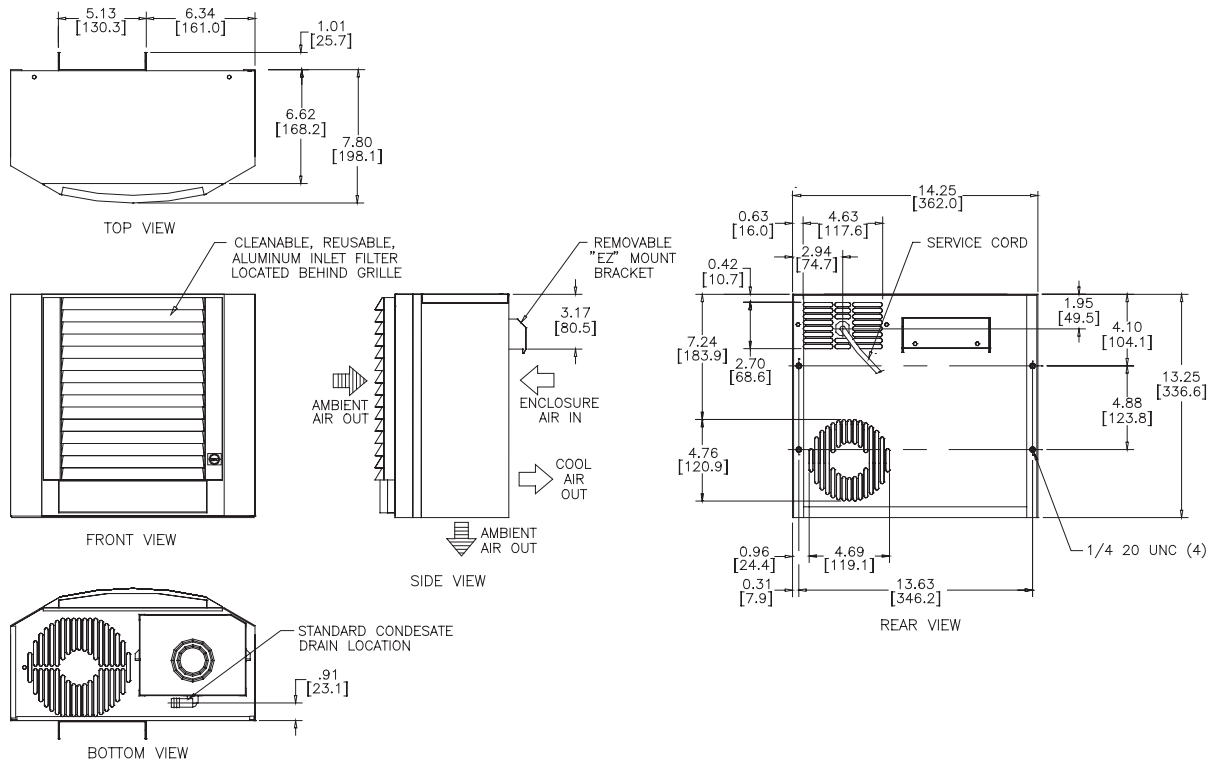
1. Inspect air conditioner. Verify functionality before mounting the air conditioner, see HANDLING AND TESTING THE AIR CONDITIONER on page 3.
2. Using the cutout dimensions shown in this manual or the cutout template printed on the units shipping carton, prepare the air "IN" and air "OUT" openings, and mounting bolt hole pattern for the enclosure.
3. Using the gasket kit provided, install gaskets to air conditioner. See gasket kit illustration in this manual for proper location.
4. Mount air conditioner on enclosure using mounting bolts and screws provided. "EZ" mount tabs can be used to hold unit on enclosure while mounting in place. Allow unit to remain upright for a minimum of five (5) minutes before starting. Caution: Air conditioner must be in upright position during operation.
5. Refer to top of nameplate for electrical requirements. Connect the power cord to a properly grounded power supply. Use of an extension cord is not recommended. Electrical circuit should be fused with slow blow or HACR circuit breaker.

M13 DESIGN DATA

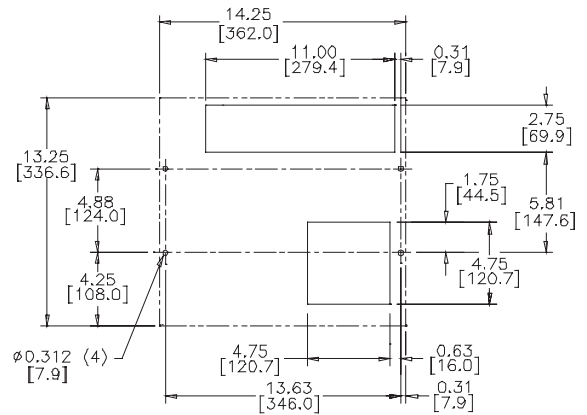
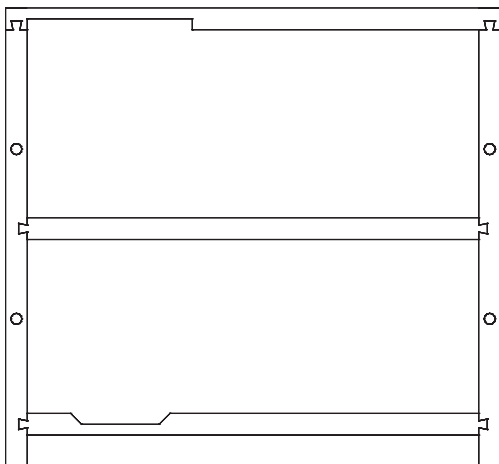
Model	Availability	Voltage	Hz	Full Load Amps	Phase	BTU/Hr. @ Max Ambient Temperature	Max Ambient Temperature (°F/°C)	Shipping Weight (lb./kg)
M13-0116-G1014	Stock	100/115	50/60	3.7/3.9	1	800/1000	125/52	46/21
M13-0116-G1XXX		100/115	50/60	3.7/3.9	1	800/1000	125/52	46/21
M13-0126-G1008	Stock	220/230	50/60	2.6/2.6	1	800/1000	125/52	46/21
M13-0126-G1XXX		220/230	50/60	2.6/2.6	1	800/1000	125/52	46/21

-XXX will be replaced with a three-digit number designating all desired options. Consult the factory for specific model numbers.

M13 DIMENSIONAL DRAWING



M13 MOUNTING GASKET AND CUTOUT DIMENSIONS

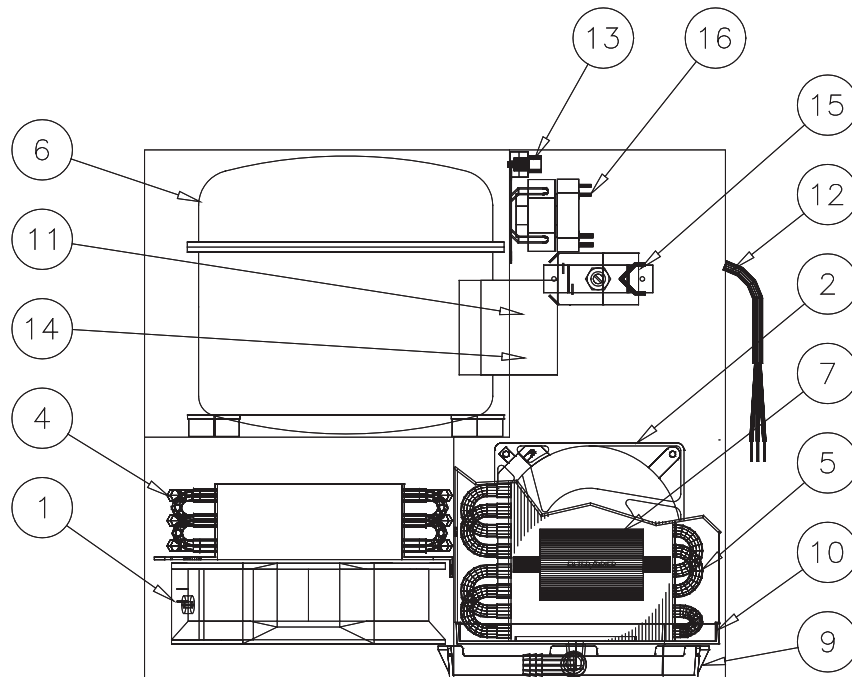


Mounting gasket kit 17-1000-50 included. Apply gasket to the back of the air conditioner before mounting to enclosure.

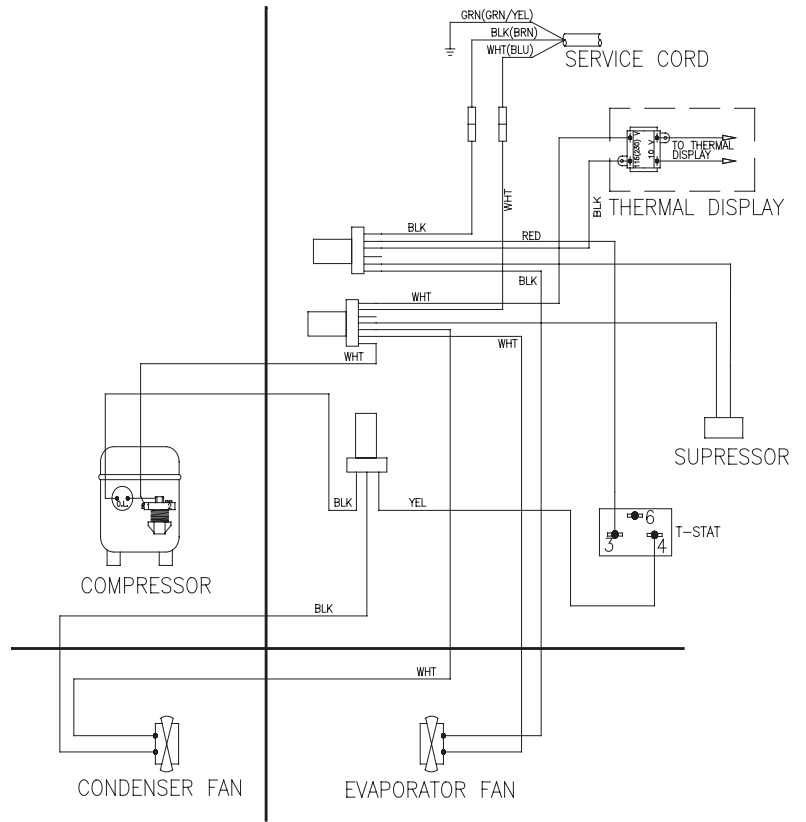
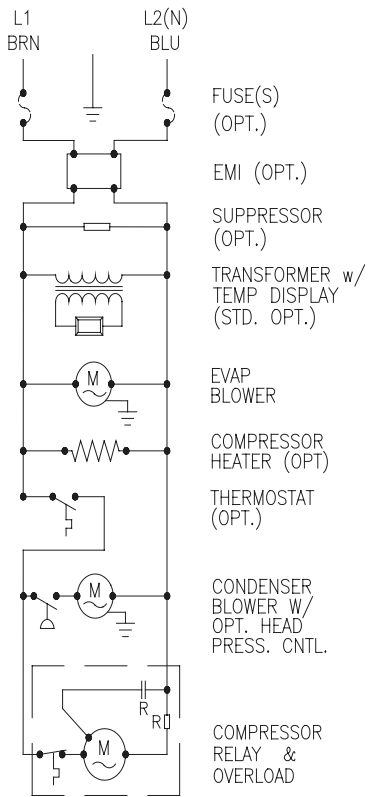
Dashed lines represent aire conditioner.

M13 COMPONENTS LIST

Part Description	Item Number.	Part Number	
		115 Volt	230 Volt
Fan, Condenser	1	12-1012-01	12-1012-02
Fan, Evaporator	2	13-1015-01	13-1015-02
Coil, Condenser	4	13-1001-05	13-1001-05
Coil, Evaporator	5	13-1001-04	13-1001-04
Compressor, AE	6	89109065	89109066
Control Panel Assembly, Narrow	N/S	10-1106-100	10-1106-100
Filter, Air, Reusable, Narrow	N/S	10-1000-57	10-1000-57
Filter/Dryer	7	52-6028-00	52-6028-00
Grille, Front, Narrow	N/S	10-1130-01	10-1130-01
Pan, Condensate	9	10-1130-12	10-1130-12
Pan, Evaporator	10	10-1130-13	10-1130-13
Relay, Compressor, Start	11	89117321	89117322
Service Cord	12	52-6035-138	52-6035-139
Terminal Block	13	10-1003-03	10-1003-03
Thermal Overload, Compressor	14	89117325	89117326
Thermostat, SPST, 55-100F	15	10-1061-16	10-1061-16
Transformer, 10 VAC Secondary	16	10-1006-114	10-1006-115



M13 SCHEMATIC AND WIRE DIAGRAM, 115/230 VOLT 1000 BTU

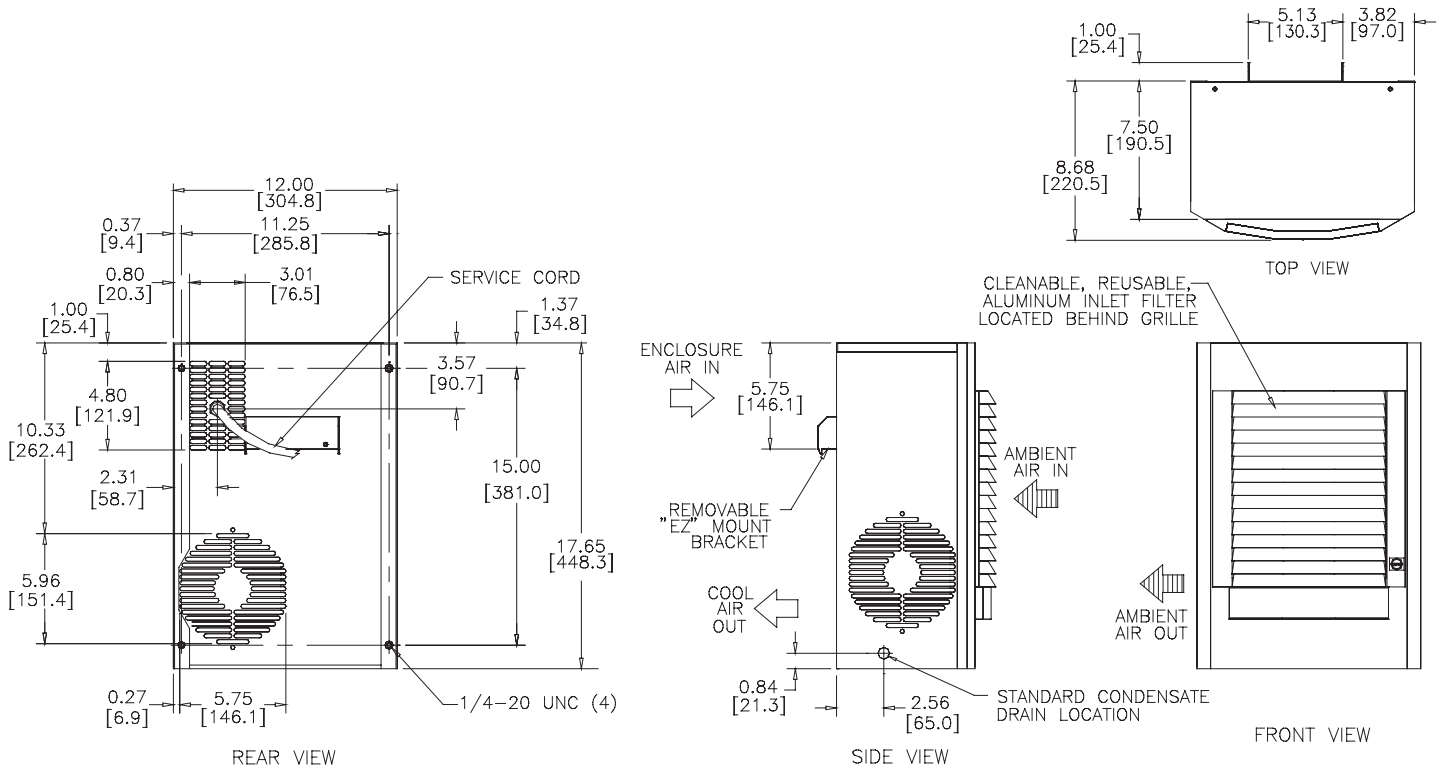


M17 DESIGN DATA

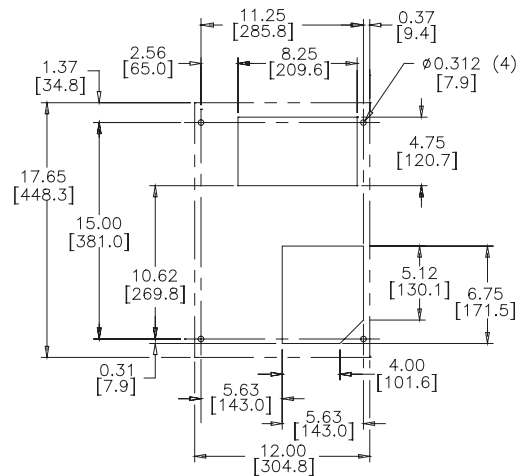
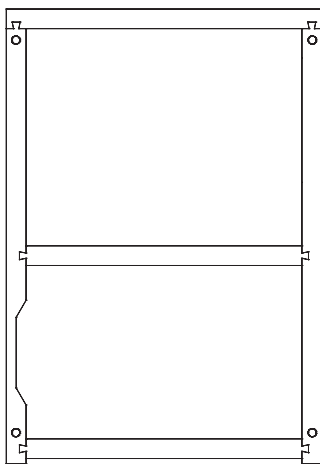
Model	Availability	Voltage	Hz	Full Load Amps	Phase	BTU/Hr. @ Max Ambient Temperature	Max Ambient Temperature (°F/°C)	Shipping Weight (lb./kg)
M17-0216-G009	Stock	100/115	50/60	7.2/6.9	1	1500/1800	125/52	56/25
M17-0216-GXXX		100/115	50/60	7.2/6.9	1	1500/1800	125/52	56/25
M17-0226-G004	Stock	220/230	50/60	3.1/3.1	1	1500/1800	125/52	56/25
M17-0226-GXXX		220/230	50/60	3.1/3.1	1	1500/1800	125/52	56/25

-XXX will be replaced with a three-digit number designating all desired options. Consult the factory for specific model numbers.

M17 DIMENSIONAL DRAWING



M17 MOUNTING GASKET AND CUTOUT DIMENSIONS

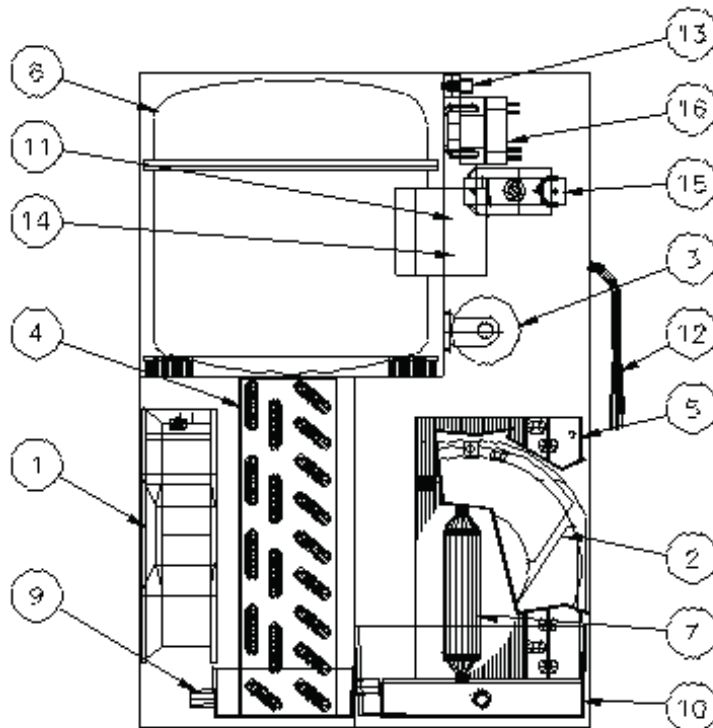


Mounting gasket kit 17-1000-50 included. Apply gasket to the back of the air conditioner before mounting to enclosure.

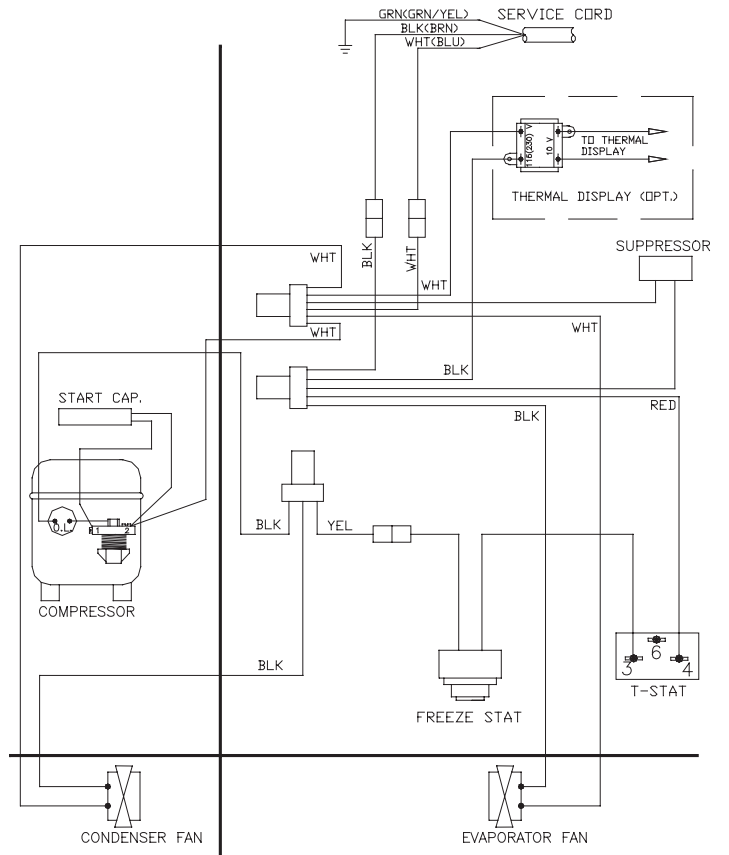
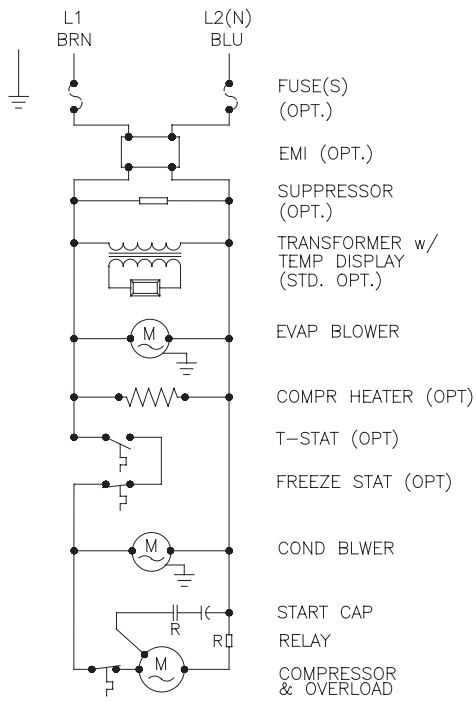
Dashed lines represent aire conditioner.

M17 COMPONENTS LIST

Part Description	Item Number.	Part Number	
		115 Volt	230 Volt
Fan, Condenser	1	12-1012-01	12-1012-02
Fan, Evaporator	2	12-1012-01	12-1012-02
Capacitor, Compressor, Start	3	89111993	89117017
Coil, Condenser	4	17-1001-00	17-1001-00
Coil, Evaporator	5	17-1002-01	17-1002-01
Compressor, AE	6	89108747	89108748
Control Panel Assembly, Narrow	N/S	10-1106-100	10-1106-100
Filter, Air, Reusable, Narrow	N/S	10-1000-57	10-1000-57
Filter/Dryer	7	52-6028-03	52-6028-03
Grille, Front, Narrow	N/S	10-1130-01	10-1130-01
Pan, Condensate	9	10-1130-14	10-1130-14
Pan, Evaporator	10	10-1130-18	10-1130-18
Relay, Compressor, Start	11	89111992	89111995
Service Cord	12	52-6035-138	52-6035-139
Terminal Block	13	10-1003-03	10-1003-03
Thermal Overload, Compressor	14	89111994	89111997
Thermostat, SPST, 55-100F	15	10-1061-16	10-1061-16
Transformer, 10 VAC Secondary	16	10-1006-114	10-1006-115



M17 SCHEMATIC AND WIRE DIAGRAM, 115/230 VOLT 1800 BTU

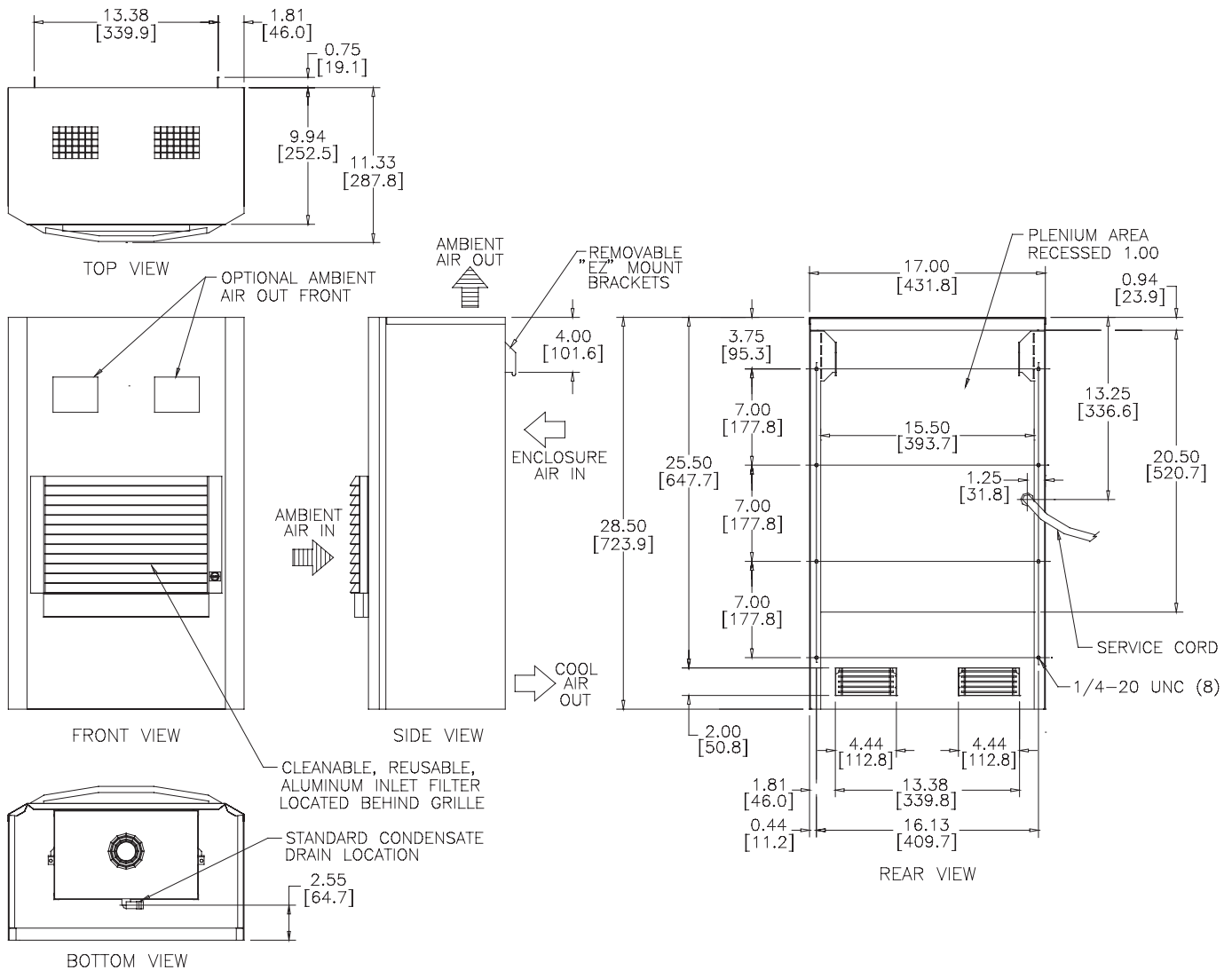


M28 DESIGN DATA

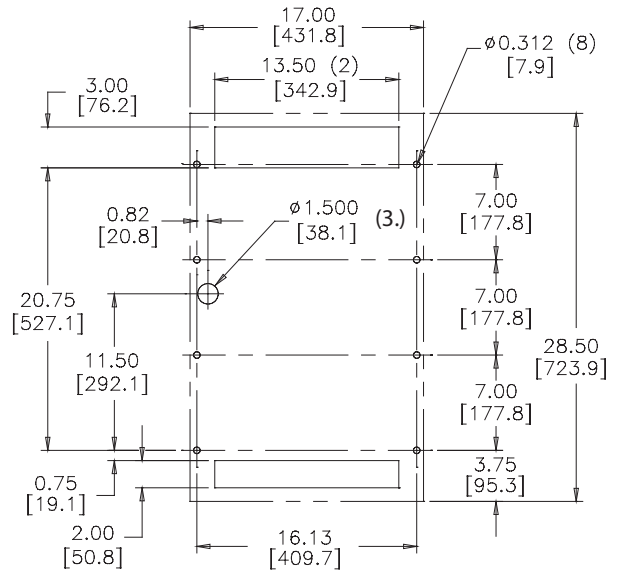
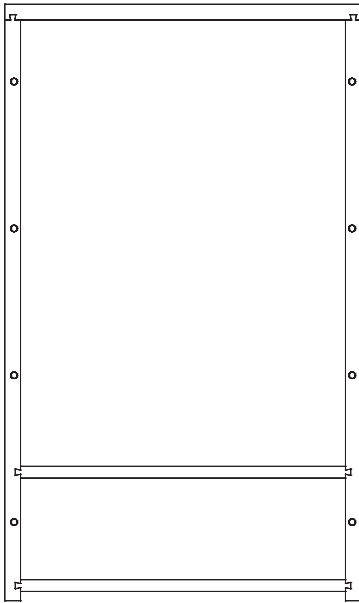
Model	Availability	Voltage	Hz	Full Load Amps	Phase	BTU/Hr. @ Max Ambient Temperature	Max Ambient Temperature (°F/°C)	Shipping Weight (lb./kg)
M28-0216-G013	STOCK	100/115	50/60	8.3/8.4	1	2200/2200	125/52	97/44
M28-0216-GXXX		100/115	50/60	8.3/8.4	1	2200/2200	125/52	97/44
M28-0226-G004	STOCK	220/230	50/60	4.2/4.2	1	2200/2200	125/52	97/44
M28-0226-GXXX		220/230	50/60	4.2/4.2	1	2200/2200	125/52	97/44
M28-0416-G007	STOCK	115	50/60	14.6/14.0	1	3800/4000	125/52	116/53
M28-0416-GXXX		115	50/60	14.6/14.0	1	3800/4000	125/52	116/53
M28-0426-G032	STOCK	230	50/60	7.4/6.9	1	3800/4000	125/52	116/53
M28-0426-GXXX		230	50/60	7.4/6.9	1	3800/4000	125/52	116/53
M28-0616-GXXX		115	50/60	16.4/17.2	1	5400/6000	125/52	120/55
M28-0626-GXXX		230	50/60	8.0	1	5400/6000	125/52	120/55

-XXX will be replaced with a three-digit number designating all desired options. Consult the factory for specific model numbers.

M28 DIMENSIONAL DRAWING

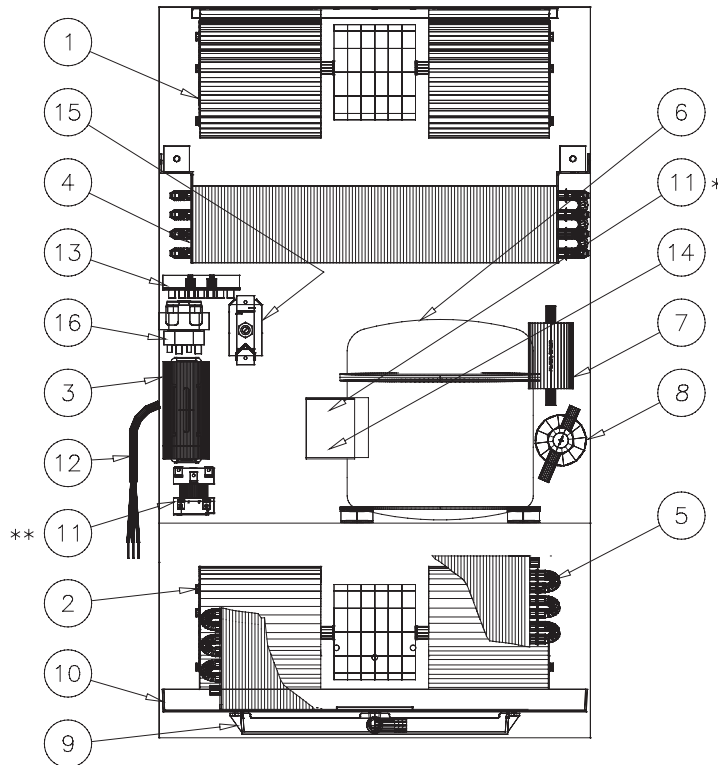


M28 MOUNTING GASKET AND CUTOUT DIMENSIONS



Mounting gasket kit 28-1000-50 included. Apply gasket to the back of the air conditioner before mounting to enclosure.

1. Dashed lines represent air conditioner.
2. Cutout dimensions are for standard unit.
3. Hole may be deleted if service cord is routed through 3.00 x 13.50 cutout (except on units with electric heat).



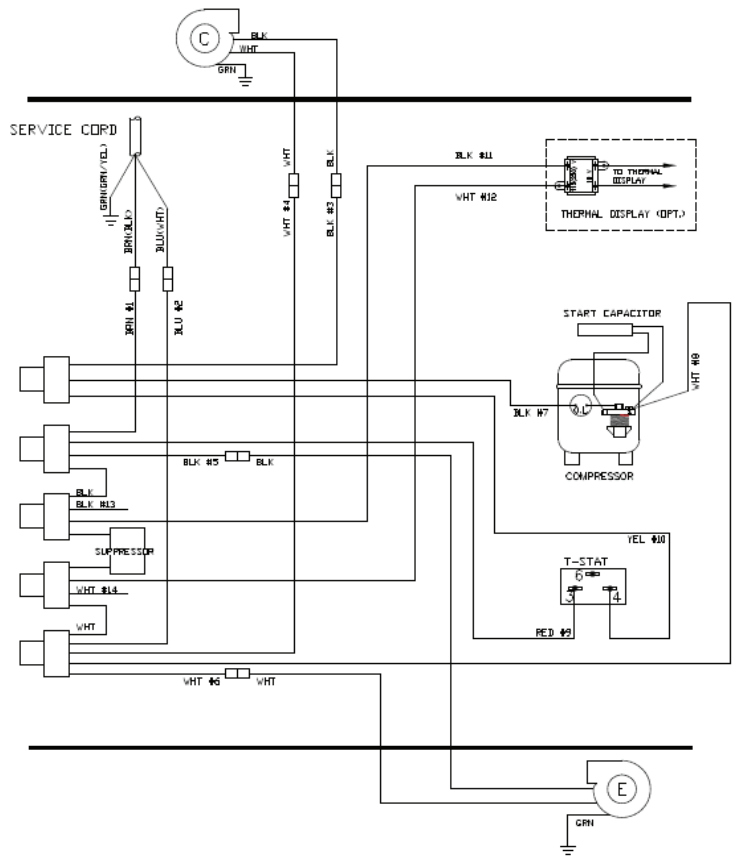
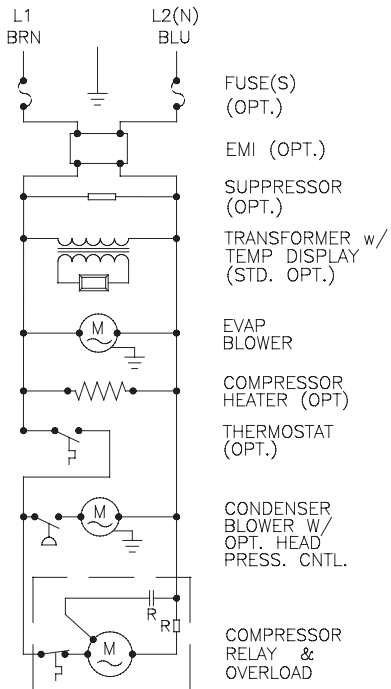
** 4000 BTU

* 2200 BTU

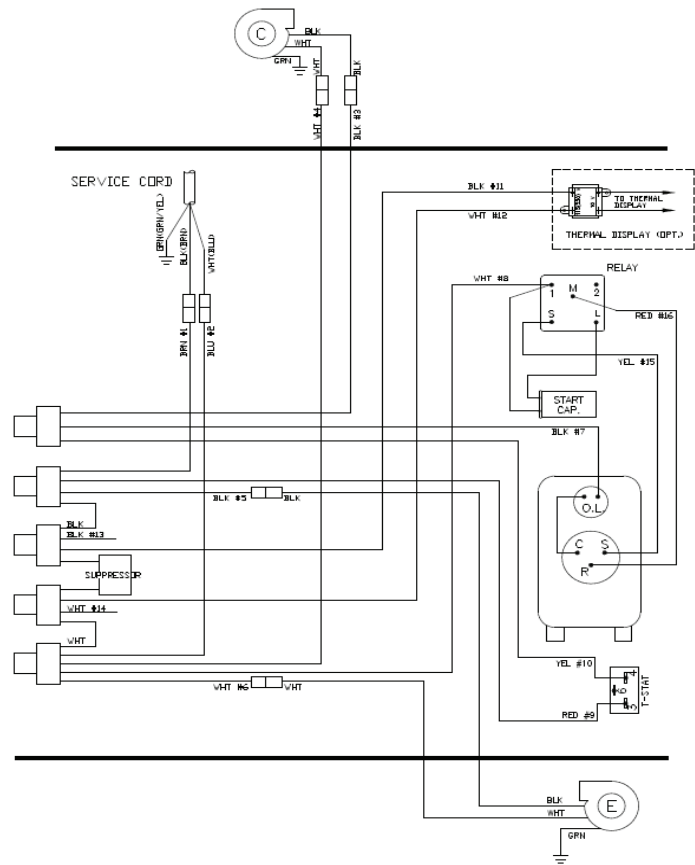
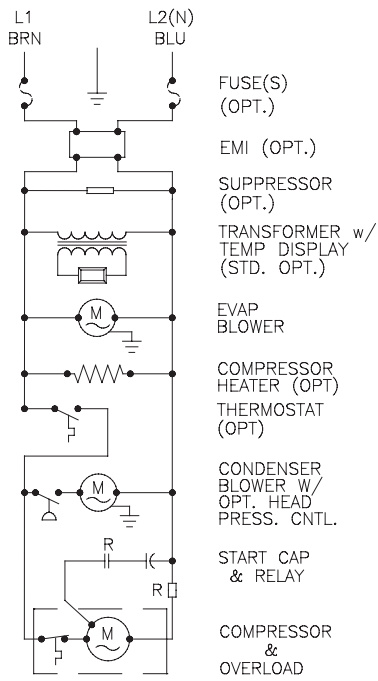
M28 COMPONENTS LIST

Part Description	Item Number.	Part Number (115 Volt)		
		2200 BTU	4000 BTU	6000 BTU
Blower, Condenser	1	30-4019-01M	30-4019-01M	38-2019-04
Blower, Evaporator	2	28-1064-06M	28-1064-06M	28-1064-06M
Capacitor, Compressor, Start/Run	3	89111993	10-1032-13	10-1032-15
Coil, Condenser	4	24-1001-00	24-1001-00	24-1001-00
Coil, Evaporator	5	28-1001-00	28-1001-01	14-1002-00
Compressor, AE/AK/AK	6	89098747	10-1016-26	10-1016-68
Control Panel Assembly, Wide	N/S	10-1106-101	10-1106-101	10-1106-101
Filter, Air, Reusable, Wide	N/S	10-1000-56	10-1000-56	10-1000-56
Filter/Dryer	7	52-6028-00	52-6028-00	52-6028-00
Grille, Front, Wide	N/S	10-1130-00	10-1130-00	10-1130-00
Hot Gas By-Pass Valve	8	N/A	52-6027-16	52-6027-11
Pan, Condensate	9	10-1130-17	10-1130-17	10-1130-17
Pan, Evaporator	10	10-1130-15	10-1130-15	10-1130-15
Relay, Compressor, Start	11	89111992	10-1028-14	N/A
Service Cord	12	52-6035-138	52-6035-142	52-6035-125
Terminal Block (If Installed)	13	10-1003-31	10-1003-31	10-1003-31
Thermal Overload, Compressor	14	89111994	10-1007-45	10-1007-50
Thermostat, SPST, 55-100F	15	10-1061-16	10-1061-16	10-1061-16
Transformer, 10 VAC Secondary	16	10-1006-114	10-1006-114	10-1006-114
Part Number (230 Volt)				
Part Description	Item Number	Part Number (230 Volt)		
		2200 BTU	4000 BTU	6000 BTU
Blower, Condenser	1	30-4019-02M	30-4019-02M	38-2020-04
Blower, Evaporator	2	28-1064-05M	28-1064-05M	28-1064-05M
Capacitor, Compressor., Start/Run	3	89117017	10-1032-14	10-1032-18
Coil, Condenser	4	24-1001-00	24-1001-00	24-1001-00
Coil, Evaporator	5	28-1001-00	28-1001-01	14-1002-00
Compressor, AE/AK/AK	6	89108748	10-1026-77	10-1026-80
Control Panel Assembly, Wide	N/S	10-1106-101	10-1106-101	10-1106-101
Filter, Air, Reusable, Wide	N/S	10-1000-56	10-1000-56	10-1000-56
Filter/Dryer	7	52-6028-00	52-6028-00	52-6028-00
Grille, Front, Wide	N/S	10-1130-00	10-1130-00	10-1130-00
Hot Gas By-Pass Valve	8	N/A	52-6027-16	52-6027-11
Pan, Condensate	9	10-1130-17	10-1130-17	10-1130-17
Pan, Evaporator	10	10-1130-15	10-1130-15	10-1130-15
Relay, Compressor, Start	11	89111995	10-1028-15	N/A
Service Cord	12	52-6035-139	52-6035-139	52-6035-139
Terminal Block (If Installed)	13	10-1003-31	10-1003-31	10-1003-31
Thermal Overload, Compressor	14	89111997	10-1007-51	10-1007-49
Thermostat, SPST, 55-100F	15	10-1061-16	10-1061-16	10-1061-16
Transformer, 10 VAC Secondary	16	10-1006-115	10-1006-115	10-1006-115

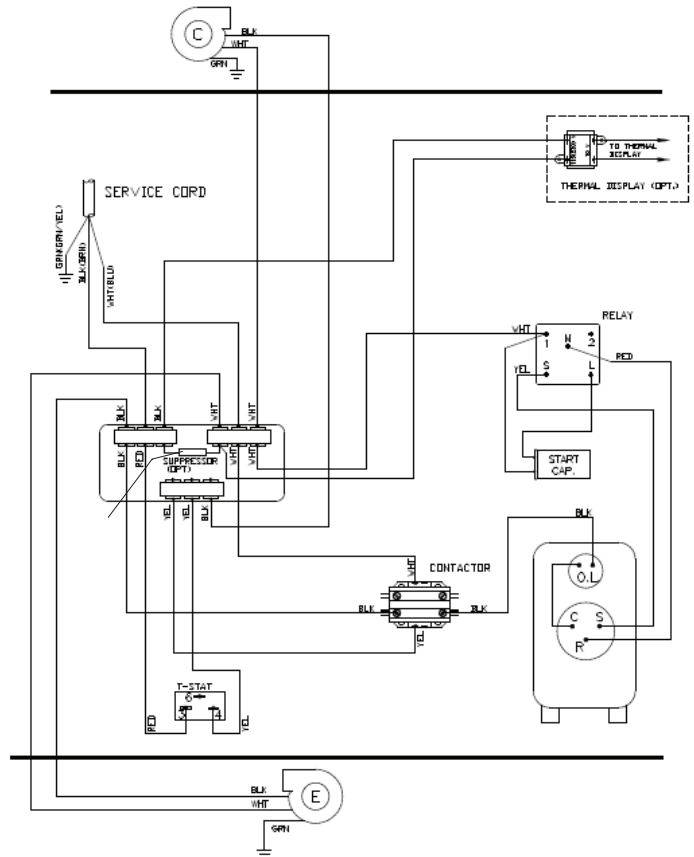
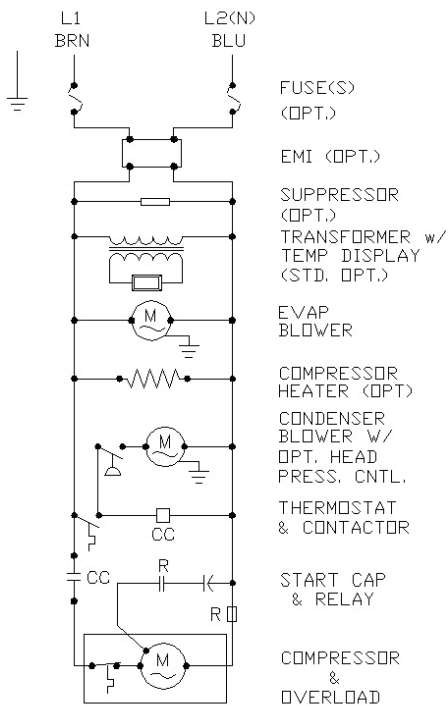
M28 SCHEMATIC AND WIRE DIAGRAM, 115/230 VOLT, 2200 BTU



M28 SCHEMATIC AND WIRE DIAGRAM, 115/230 VOLT, 4000 BTU & 230 VOLT 6000 BTU



M28 SCHEMATIC AND WIRE DIAGRAM, 115 VOLT, 6000 BTU

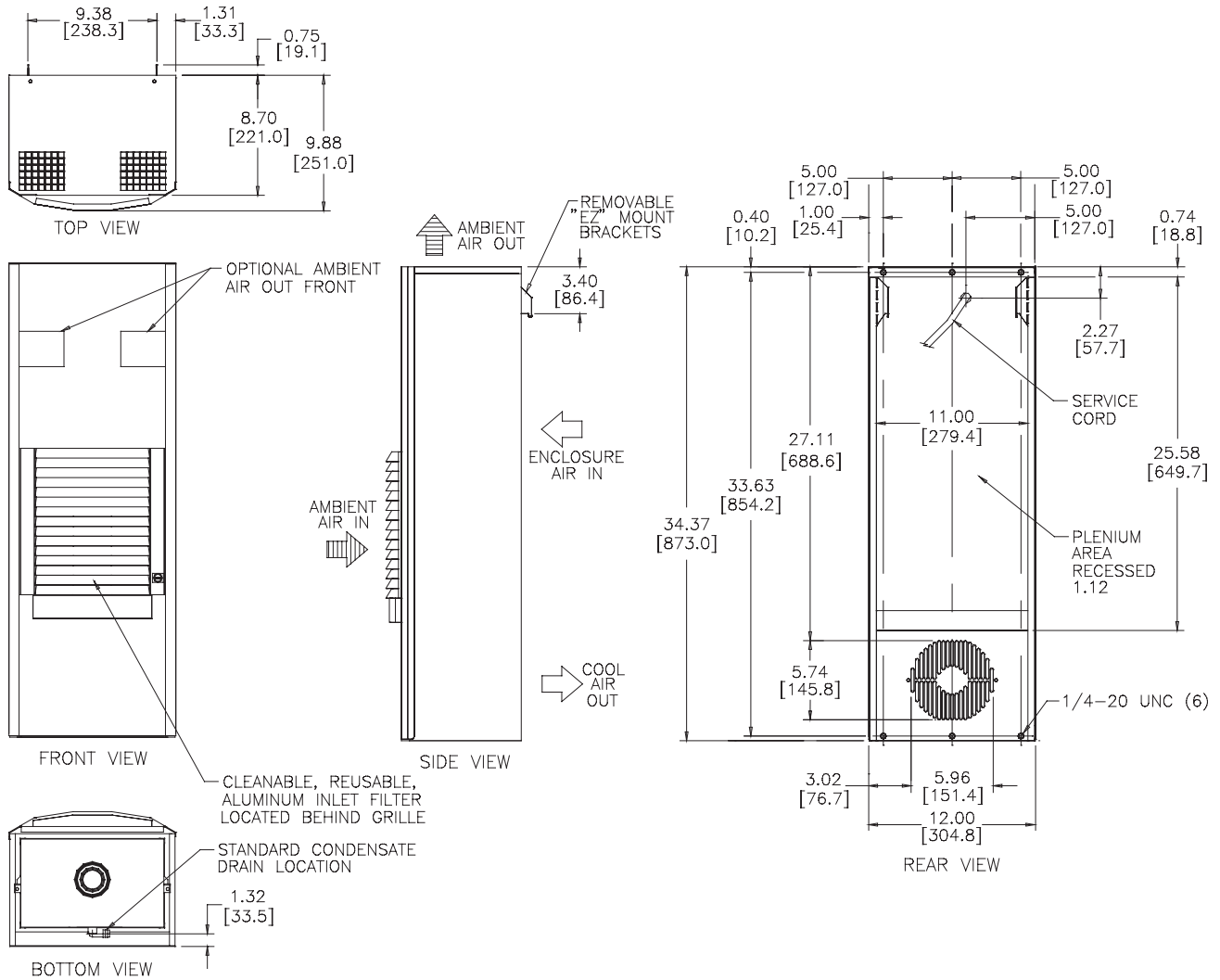


M33 DESIGN DATA

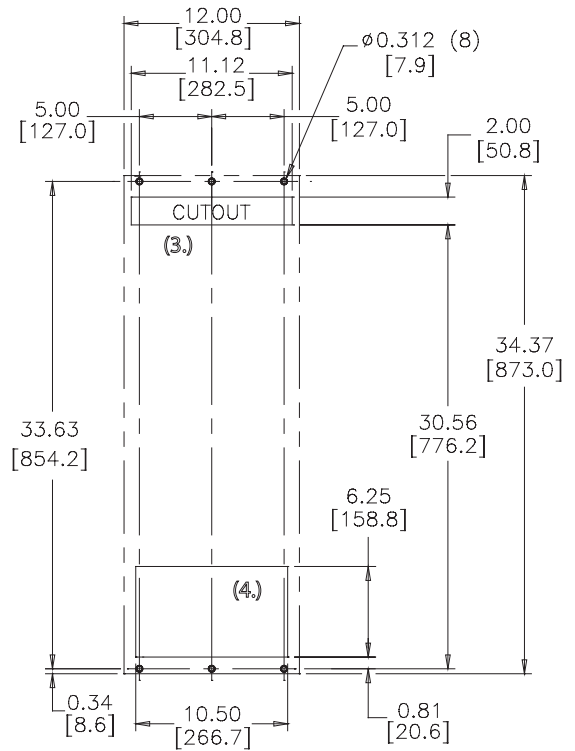
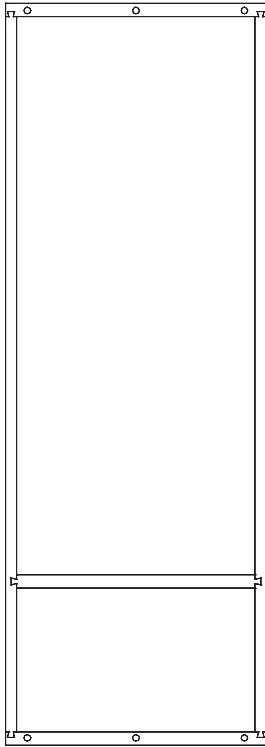
Model	Availability	Voltage	Hz	Full Load Amps	Phase	BTU/Hr. @ Max Ambient Temperature	Max Ambient Temperature (°F/°C)	Shipping Weight (lb./kg)
M33-0416-G010	Stock	115	50/60	11.6/10.8	1	3700/4000	131/55	105/48
M33-0416-GXXX		115	50/60	11.6/10.8	1	3700/4000	131/55	105/48
M33-0426-G009	Stock	230	50/60	7.2/7.3	1	3700/4000	131/55	105/48
M33-0426-GXXX		230	50/60	7.2/7.3	1	3700/4000	131/55	105/48

-XXX will be replaced with a three-digit number designating all desired options. Consult the factory for specific model numbers.

M33 DIMENSIONAL DRAWING



M33 MOUNTING GASKET AND CUTOUT DIMENSIONS

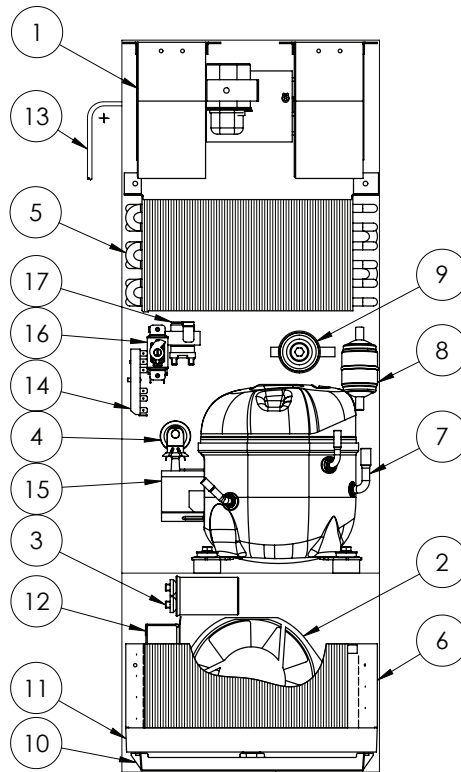


Mounting gasket kit 33-1000-50 included. Apply gasket to the back of the air conditioner before mounting to enclosure.

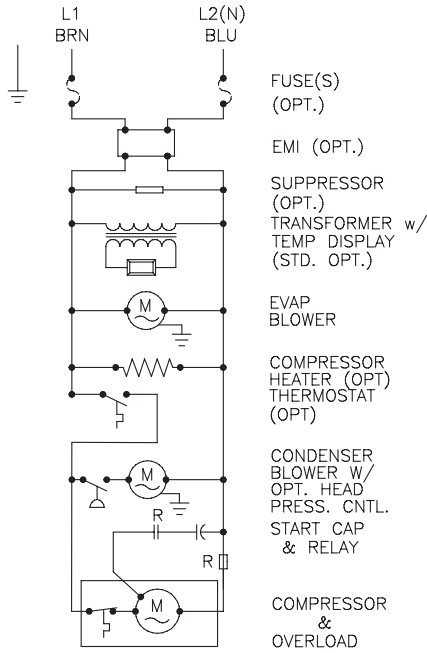
1. Dashed lines represent air conditioner.
2. Cutout dimensions for standard unit.
3. Service cord to be routed through 2.00 x 11.12 cutout.
4. Bottom cutout will accommodate air conditioner or heat exchanger.

M33 COMPONENTS LIST

Part Description	Item Number	Part Number (4000 BTU)	
		115 Volt	230 Volt
Blower, Condenser, Top Discharge	1	38-2019-04	38-2020-04
Blower, Condenser, Front Discharge	1	38-2019-00	38-2020-00
Fan, Evaporator	2	12-1012-01	12-1012-02
Capacitor, Compressor, Run	3	N/A	89100497
Capacitor, Compressor, Start	4	N/A	89100496
Coil, Condenser	5	33-2001-01	33-2001-01
Coil, Evaporator	6	33-2002-02	33-2002-02
Control Panel Assembly, Narrow	N/S	10-1106-100	10-1106-100
Filter, Air, Reusable, Narrow	N/S	10-1000-57	10-1000-57
Compressor, AK	7	89100365	89104088
Grille, Front, Narrow	N/S	10-1130-01	10-1130-01
Filter/Dryer	8	52-6028-00	52-6028-00
Hot Gas By-Pass Valve	9	52-6027-16	52-6027-16
Pan, Condensate	10	10-1130-17	10-1130-17
Pan, Evaporator	11	10-1130-16	10-1130-16
Relay, Compressor, Start	12	N/A	89100495
Service Cord	13	52-6035-143	52-6035-141
Terminal Block (if installed)	14	10-1003-03	10-1003-03
Thermal Overload, Compressor	15	10-1007-45	10-1007-51
Thermostat, SPST, 55-100F	16	10-1061-16	10-1061-16
Transformer, 10 VAC Secondary	17	10-1006-114	10-1006-115

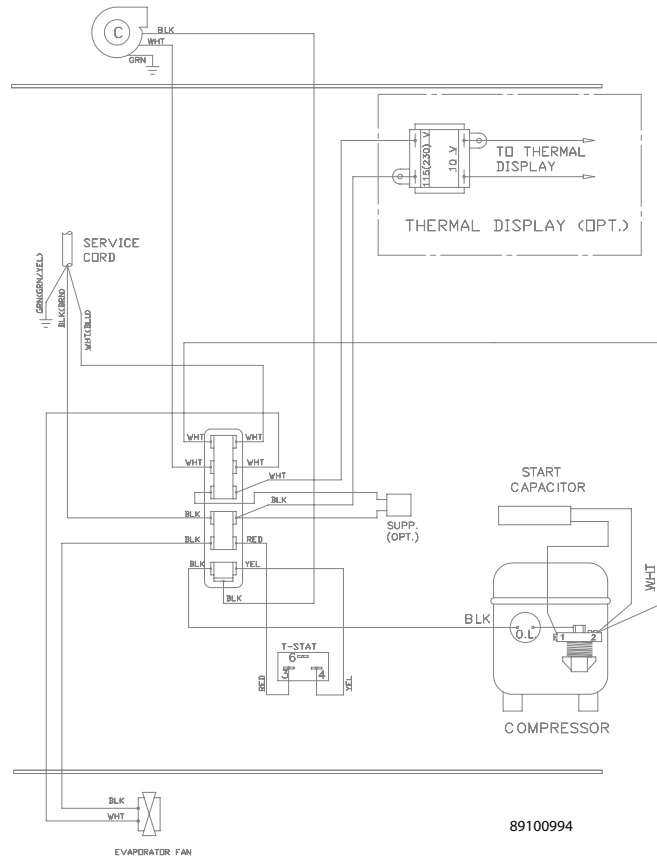


M33 WIRE DIAGRAM AND SCHEMATIC, 115 V, 4000 BTU



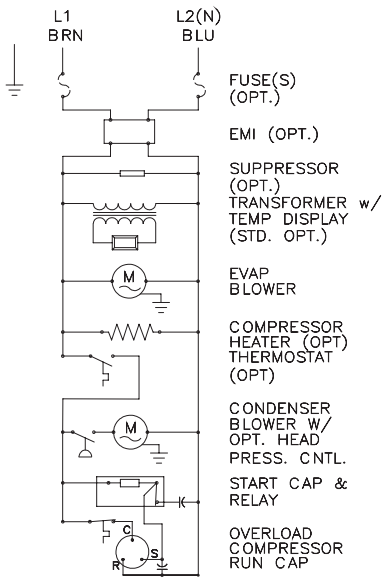
ELECTRICAL SCHEMATIC

05-2001-001



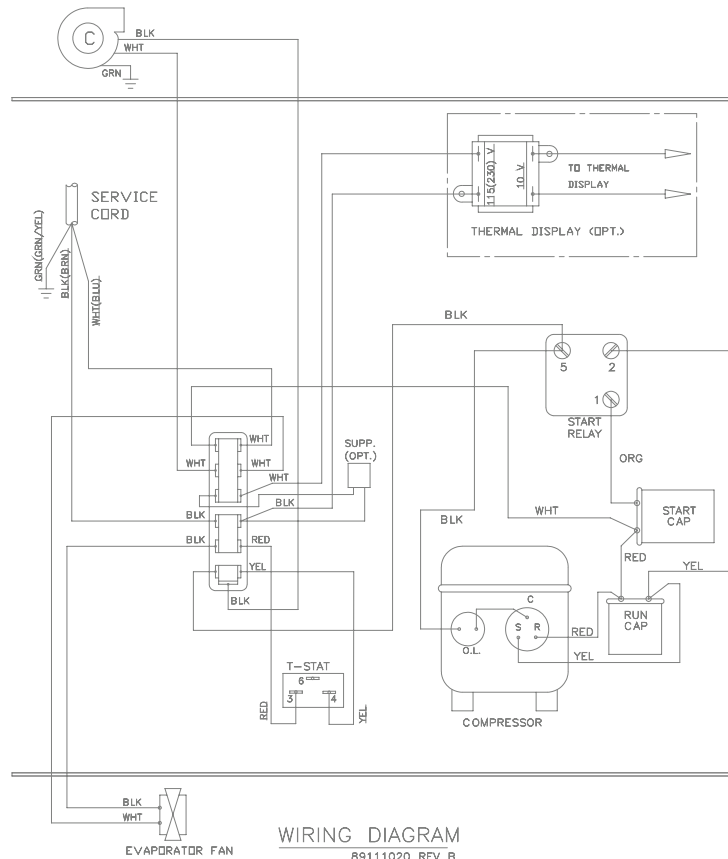
89100994

WIRE DIAGRAM, 230 V, 4000 BTU



ELECTRICAL SCHEMATIC

89110984 REV A



WIRING DIAGRAM

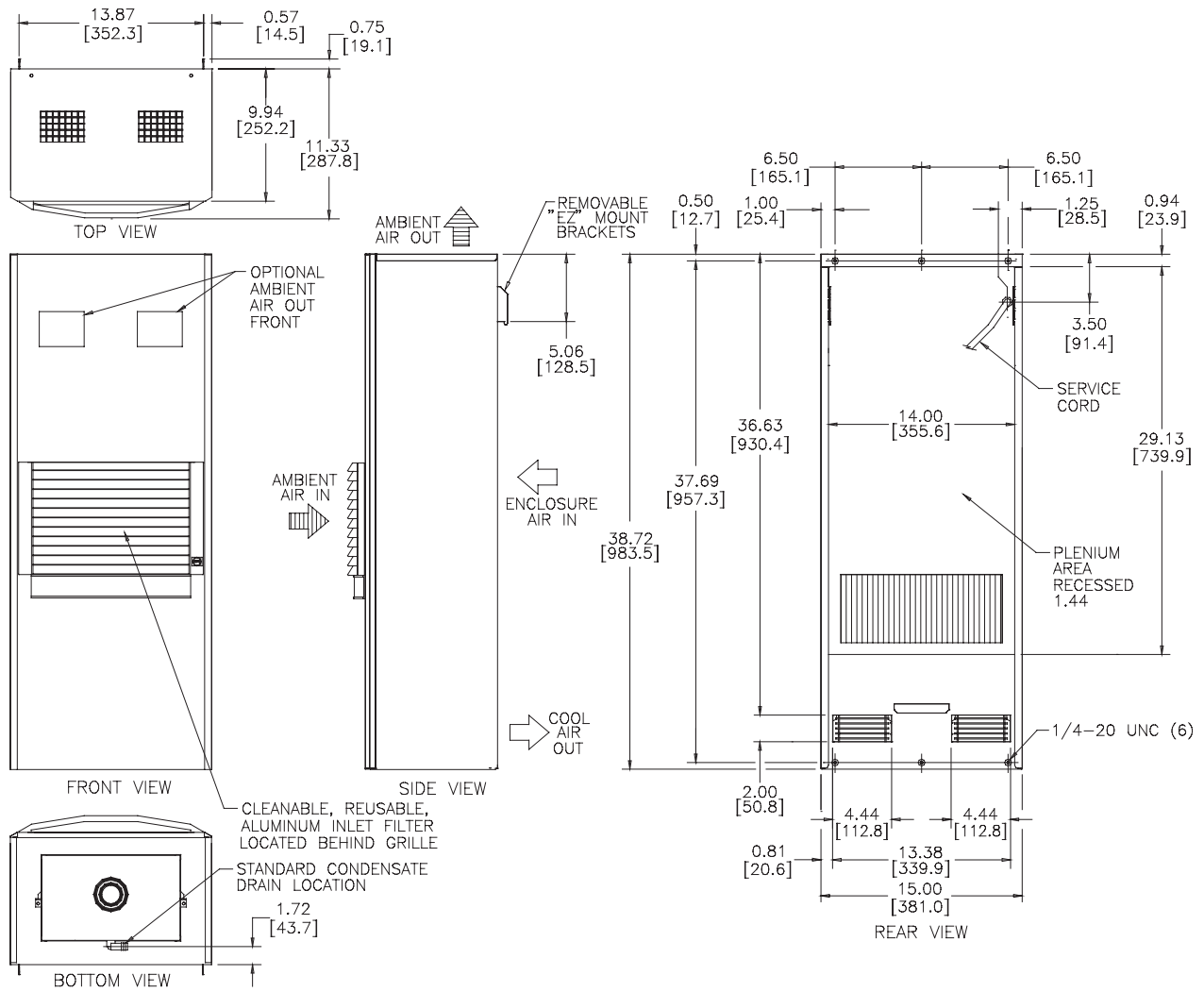
89111020 REV B

M36 DESIGN DATA

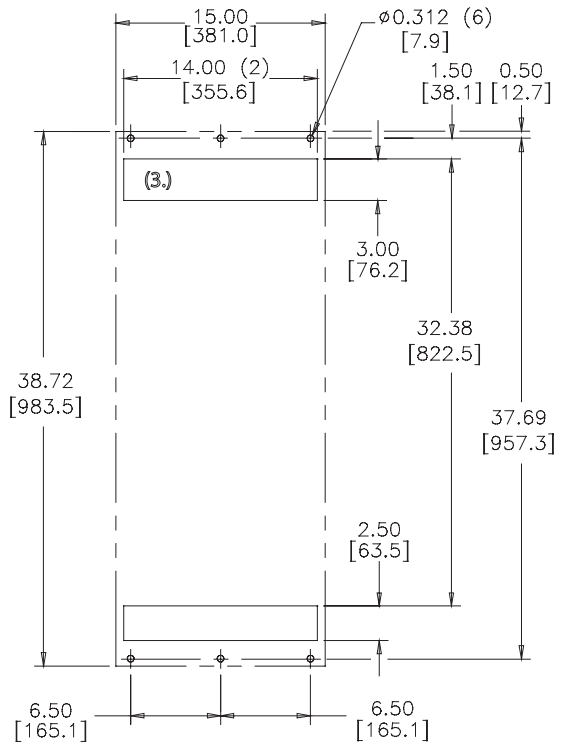
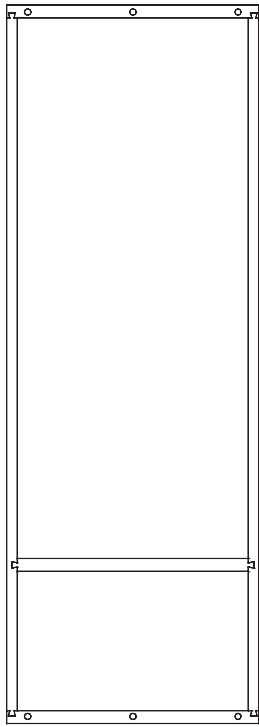
Model	Availability	Voltage	Hz	Full Load Amps	Phase	BTU/Hr. @ Max Ambient Temperature	Max Ambient Temperature (°F/°C)	Shipping Weight (lb./kg)
M36-0616-G307	Stock	115	50/60	10.0/10.0	1	5000/6000		105/48
M36-0616-GXXX		115	50/60	10.0/10.0	1	5000/6000		105/48
M36-0626-G306	Stock	230	50/60	5.0/5.0	1	5000/6000		105/48
M36-0626-GXXX		230	50/60	5.0/5.0	1	5000/6000		105/48

-XXX will be replaced with a three-digit number designating all desired options. Consult the factory for specific model numbers.

M36 DIMENSIONAL DRAWING

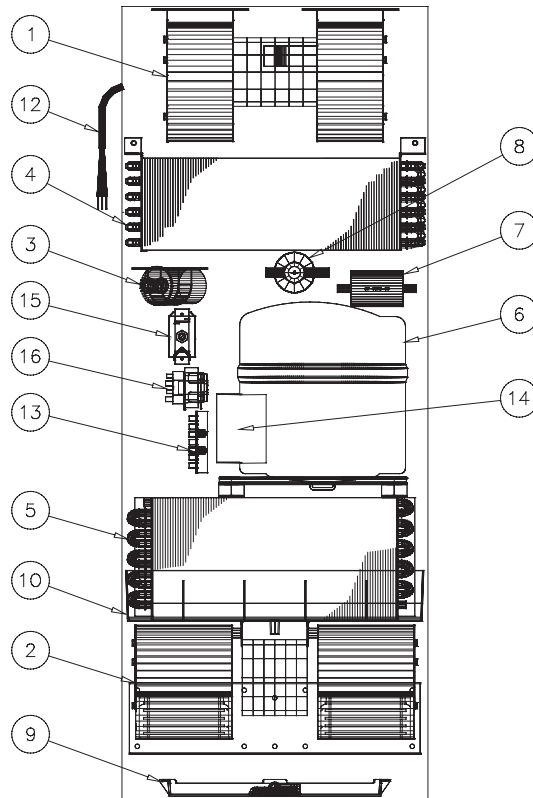


M36 MOUNTING GASKET AND CUTOUT DIMENSIONS



Mounting gasket kit 36-1000-50 included. Apply gasket to the back of the air conditioner before mounting to enclosure.

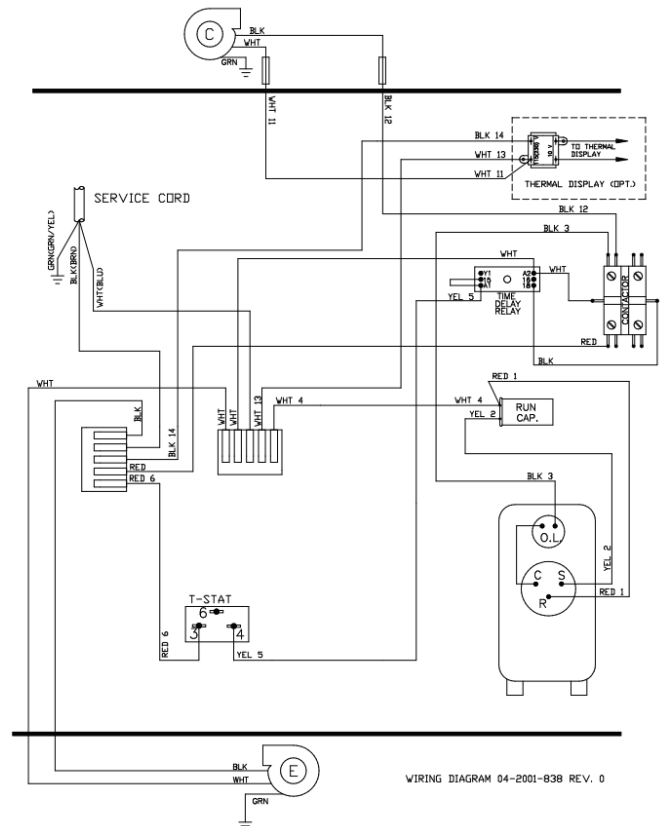
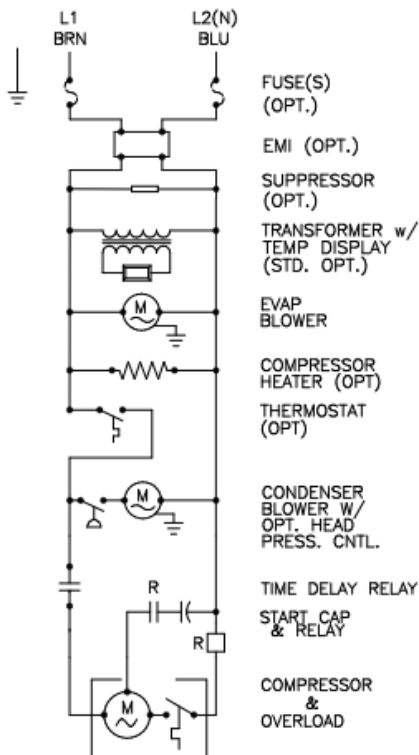
1. Dashed lines represent aire conditioner.
2. Cutout dimensions for standard unit.
3. Service cord to be routed through 3.00 x 14.00 cutout.



M36 COMPONENTS LIST

Part Description	Item Number	Part Number (6000 BTU)	
		115 Volt	230 Volt
Blower, Condenser	1	38-2019-04	38-2020-04
Blower, Evaporator	2	28-1064-06M	28-1064-05M
Capacitor, Compressor, Run	3	52-6032-06	S-6173
Coil, Condenser	4	36-1017-01	36-1017-01
Coil, Evaporator	5	28-1001-01	28-1001-01
Compressor, Rotary	6	10-1016-91	10-1026-123
Control Panel Assembly, Wide	N/S	10-1106-101	10-1106-101
Filter, Air, Reusable, Wide	N/S	10-1000-56	10-1000-56
Filter/Dryer	7	52-6028-00	52-6028-00
Grille, Front, Wide	N/S	10-1130-00	10-1130-00
Pan, Condensate	9	10-1130-17	10-1130-17
Pan, Evaporator	10	10-1130-19	10-1130-19
Relay, Compressor (optional)	N/S	10-1042-06	10-1042-13
Start Capacitor, Compressor (optional)	N/S	10-1032-08	10-1032-08
Time Delay Relay (optional)	N/S	10-1005-71	N/A
Contactors (optional)	N/S	10-1005-41	N/A
Service Cord	12	52-6035-143	52-6035-141
Thermal Overload, Compressor	14	10-1007-18	MRA5742-114
Thermostat, SPST, 55-100F	15	10-1061-16	10-1061-16
Transformer, 10 VAC Secondary	16	10-1006-114	10-1006-115

M36 SCHEMATIC AND WIRE DIAGRAM, 115/230 VOLT 6000 BTU

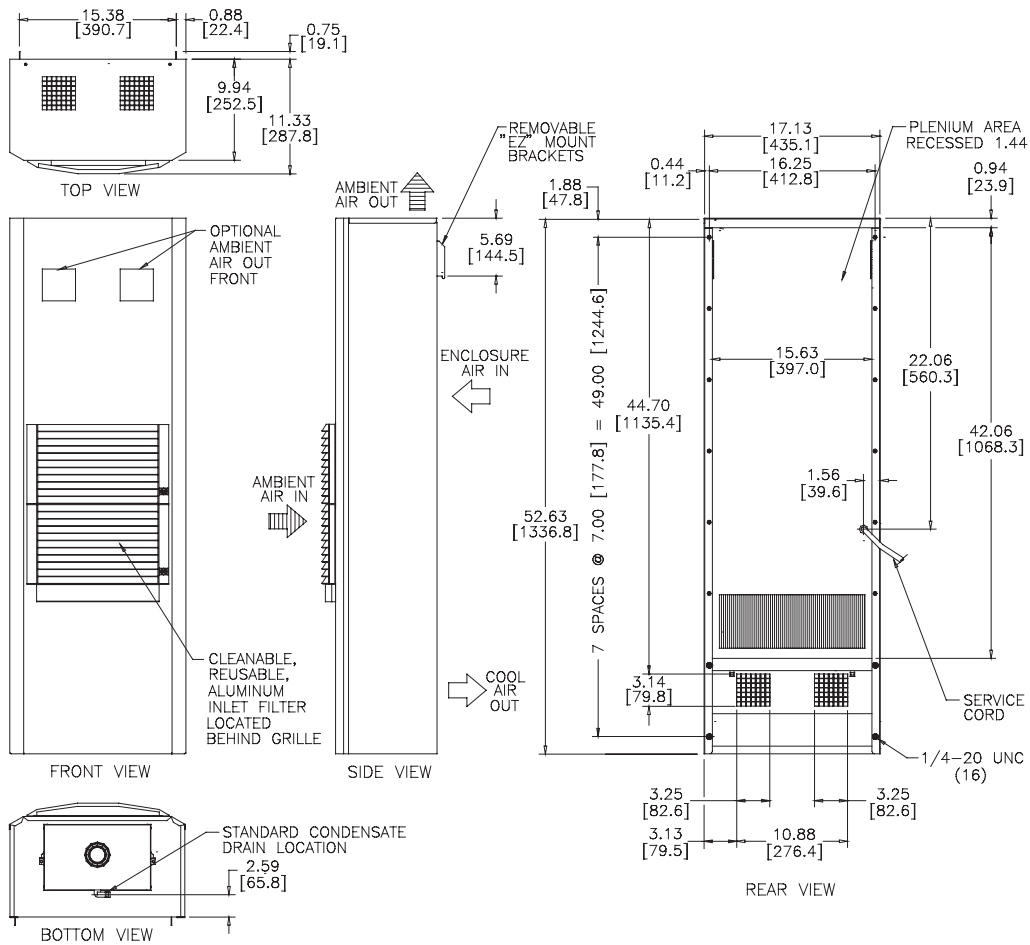


M52 DESIGN DATA

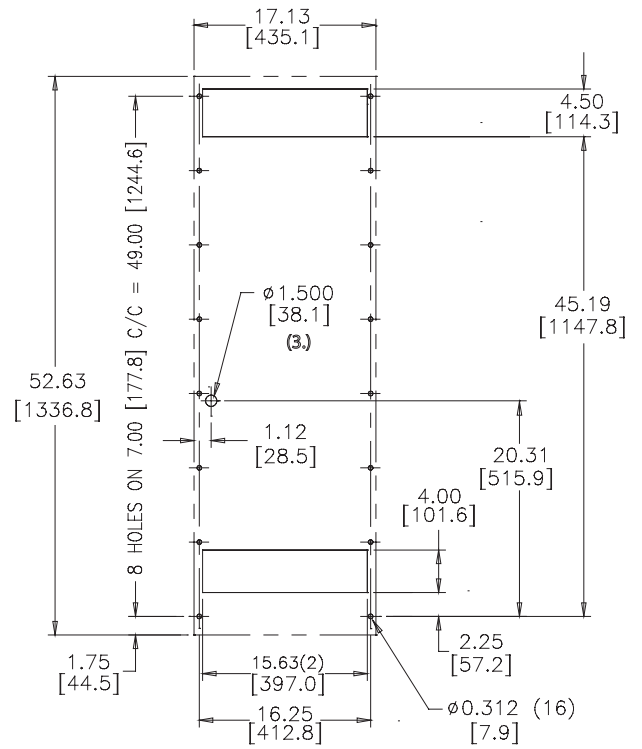
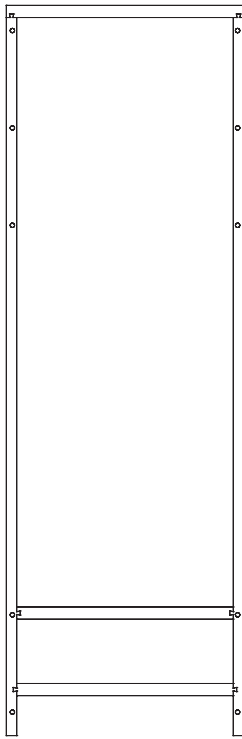
Model	Availability	Voltage	Hz	Full Load Amps	Phase	BTU/Hr. @ Max Ambient Temperature	Max Ambient Temperature (°F/°C)	Shipping Weight (lb./kg)
M28-0626-GXXX		115	50/60	13.0/13.0	1	5000/6000	125/52	155/70
M52-0626-XXX		230	50/60	6.5/6.5	1	5000/6000	125/52	155/70
M52-0816-032	Stock	115	50/60	14.5/14.5	1	6700/8000	125/52	160/73
M52-0816-XXX		115	50/60	14.5/14.5	1	6700/8000	125/52	160/73
M52-0826-015	Stock	230	50/60	8.0/8.0	1	6700/8000	125/52	160/73
M52-0826-XXX		230	50/60	8.0/8.0	1	6700/8000	125/52	160/73
M52-1016-038	Stock	110/115	50/60	18.9/19.5	1	8300/10000	125/52	165/75
M52-1016-XXX		110/115	50/60	18.9/19.5	1	8300/10000	125/52	165/75
M52-1026-021	Stock	220/230	50/60	9.5/9.8	1	8300/10000	125/52	165/75
M52-1026-XXX		220/230	50/60	9.5/9.8	1	8300/10000	125/52	165/75
M52-1216-017	Stock	110/115	50/60	24.0/23.0	1	10000/12000*	125/52	175/79
M52-1216-XXX		110/115	50/60	24.0/23.0	1	10000/12000*	125/52	175/79
M52-1226-034	Stock	220/230	50/60	12.2/11.6	1	10000/12000*	125/52	175/79
M52-1226-XXX		220/230	50/60	12.2/11.6	1	10000/12000*	125/52	175/79

-XXX will be replaced with a three-digit number designating all desired options. Consult the factory for specific model numbers.
 * Based on return air temperature slightly above ambient.

M52 DIMENSIONAL DRAWING

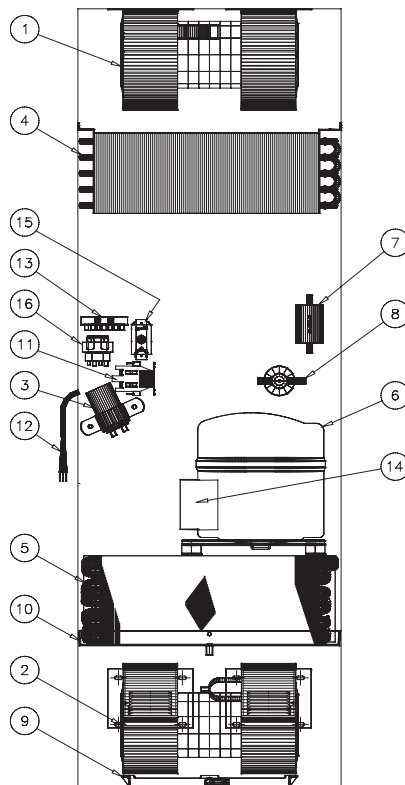


M52 MOUNTING GASKET AND CUTOUT DIMENSIONS



Mounting gasket kit 52-1000-50 included. Apply gasket to the back of the air conditioner before mounting to enclosure.

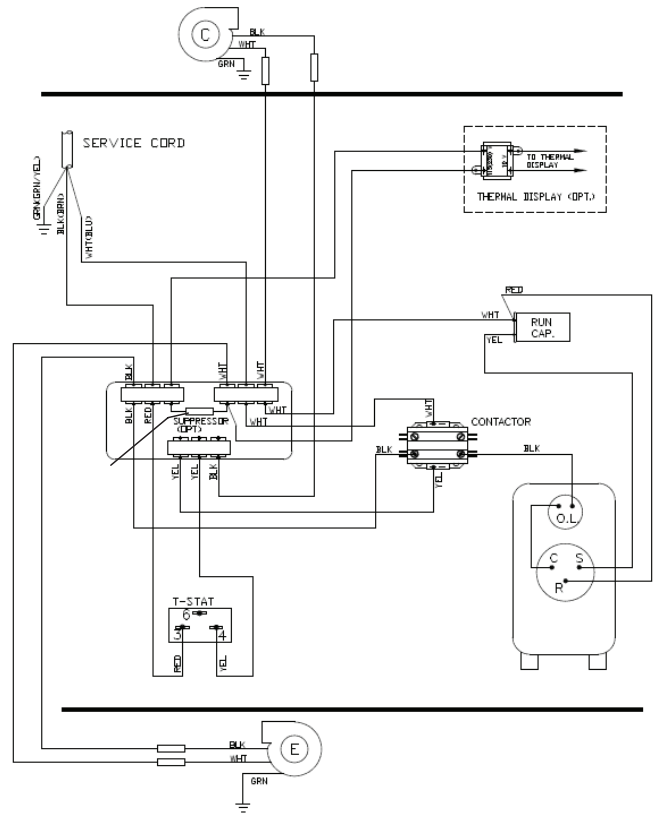
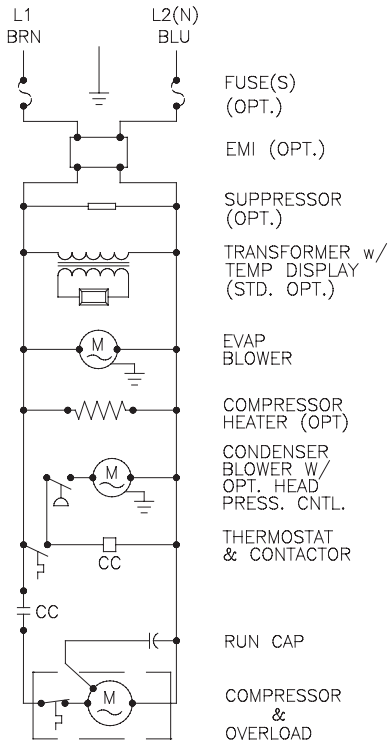
1. Dashed lines represent air conditioner.
2. Cutout dimensions for standard unit.
3. Hole may be deleted if service cord is routed through 4.50 x 15.63 cutout (except on units with electric heat).



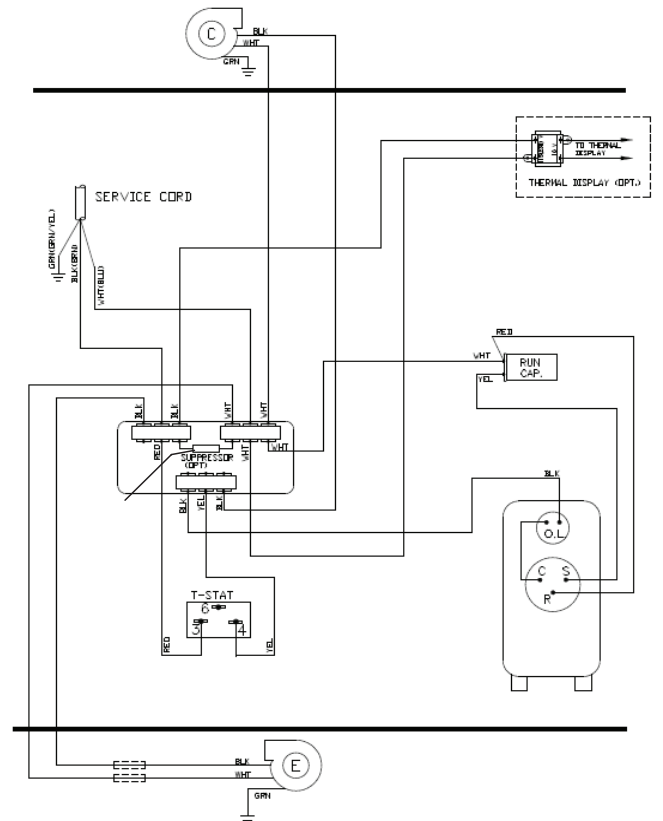
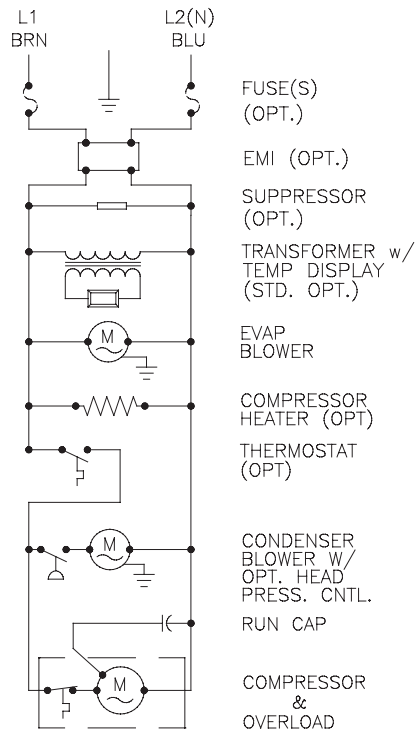
M52 COMPONENTS LIST

Part Description	Item Number	Part Number (115 Volt)			
		6000 BTU	8000 BTU	10000 BTU	12000 BTU
Blower, Condenser	1	52-6034-10	52-6034-10	52-6034-10	52-6034-10
Blower, Evaporator	2	52-6075-00	52-6075-00	52-6075-00	52-6034-10
Capacitor, Compressor, Run	3	52-6031-01	52-6032-01	52-6032-01	52-6032-01
Coil, Condenser	4	52-6111-00	52-6111-00	52-6111-00	52-6111-03
Coil, Evaporator	5	28-1001-01	52-6002-02	52-6121-01	52-6121-01
Compressor, AK	6	10-1016-08	10-1016-10	10-1016-12	10-1016-12
Control Panel Assembly, Wide	N/S	10-1106-101	10-1106-101	10-1106-101	10-1106-101
Filter, Air, Reusable, Wide	N/S	10-1000-56	10-1000-56	10-1000-56	10-1000-56
Filter/Dryer	7	52-6028-00	52-6028-00	52-6028-00	52-6028-00
Grille, Front, Wide	N/S	10-1130-00	10-1130-00	10-1130-00	10-1130-00
Hot Gas By-Pass Valve	8	52-6027-00	52-6027-00	52-6027-00	52-6027-00
Pan, Condensate	9	10-1130-17	10-1130-17	10-1130-17	10-1130-17
Pan, Evaporator	10	10-1130-23	10-1130-23	10-1130-23	10-1130-23
Contactora, Compressor, Start	11	N/A	N/A	10-1005-41	10-1005-41
Contactora Cover, Compressor	11	N/A	N/A	10-1005-68	10-1005-68
Service Cord	12	52-6035-142	52-6035-142	52-6035-125	52-6035-125
Terminal Block	13	10-1003-31	10-1003-31	10-1003-31	10-1003-31
Thermal Overload, Compressor	14	10-1007-03	10-1007-04	10-1007-05	10-1007-05
Thermostat, SPST, 55-100F	15	10-1061-16	10-1061-16	10-1061-16	10-1061-16
Transformer, 10 VAC Secondary	16	10-1006-114	10-1006-114	10-1006-114	10-1006-114
Part Description	Item Number	Part Number (230 Volt)			
		6000 BTU	8000 BTU	10000 BTU	12000 BTU
Blower, Condenser	1	52-6025-10	52-6025-10	52-6025-10	52-6025-10
Blower, Evaporator	2	52-6076-00	52-6076-00	52-6076-00	52-6025-10
Capacitor, Compressor, Run	3	52-6031-01	52-6031-01	52-6031-01	52-6031-01
Coil, Condenser	4	52-6111-00	52-6111-00	52-6111-00	52-6111-03
Coil, Evaporator	5	28-1001-01	52-6002-02	52-6121-01	52-6121-01
Compressor, AK	6	10-1026-08	10-1026-10	10-1026-12	10-1026-12
Control Panel Assembly, Wide	N/S	10-1106-101	10-1106-101	10-1106-101	10-1106-101
Filter, Air, Reusable, Wide	N/S	10-1000-56	10-1000-56	10-1000-56	10-1000-56
Filter/Dryer	7	52-6028-00	52-6028-00	52-6028-00	52-6028-00
Grille, Front, Wide	N/S	10-1130-00	10-1130-00	10-1130-00	10-1130-00
Hot Gas By-Pass Valve	8	52-6027-00	52-6027-00	52-6027-00	52-6027-00
Pan, Condensate	9	10-1130-17	10-1130-17	10-1130-17	10-1130-17
Pan, Evaporator	10	10-1130-23	10-1130-23	10-1130-23	10-1130-23
Relay, Compressor	11	N/A	N/A	N/A	N/A
Service Cord	12	52-6035-139	52-6035-139	52-6035-139	52-6035-141
Terminal Block	13	10-1003-31	10-1003-31	10-1003-31	10-1003-31
Thermal Overload, Compressor	14	10-1007-11	10-1007-12	10-1007-13	10-1007-13
Thermostat, SPST, 55-100F	15	10-1061-16	10-1061-16	10-1061-16	10-1061-16
Transformer, 10 VAC Secondary	16	10-1006-115	10-1006-115	10-1006-115	10-1006-115

M52 SCHEMATIC AND WIRE DIAGRAM, 115 VOLT 10000 AND 12000 BTU



M52 SCHEMATIC AND WIRE DIAGRAM, 115/230 VOLT 6000/8000 BTU AND 230 VOLT 10000/12000 BTU

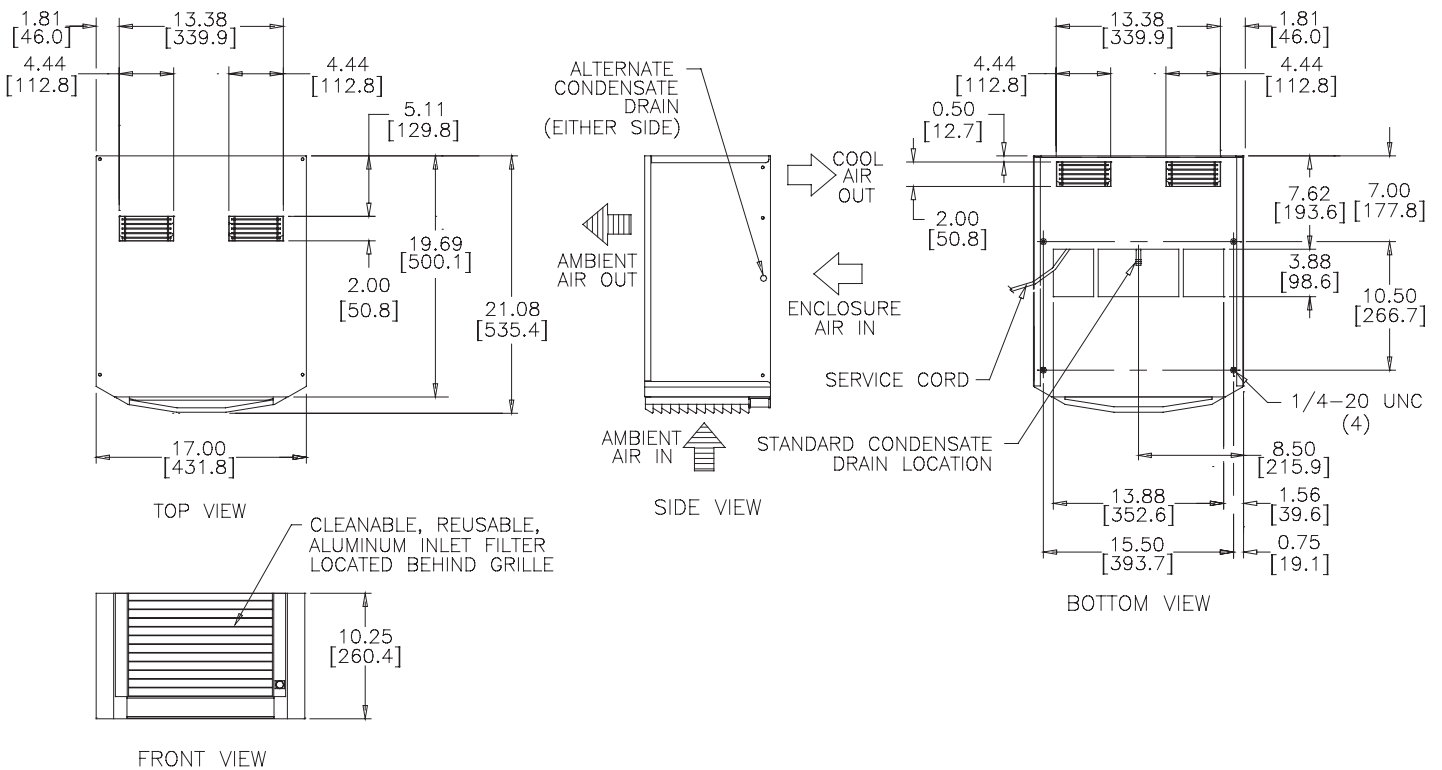


MHB11 DESIGN DATA

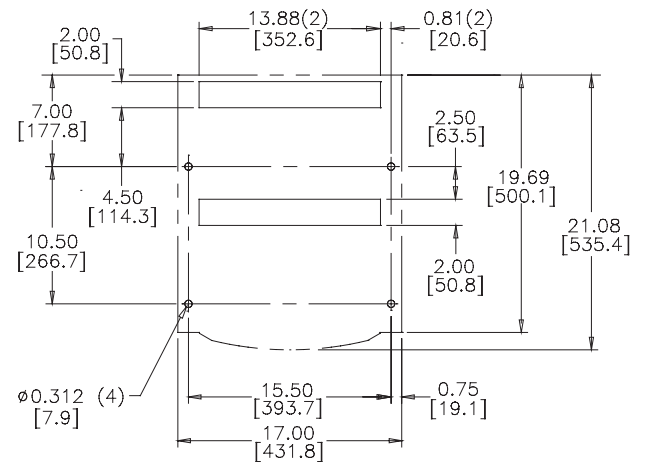
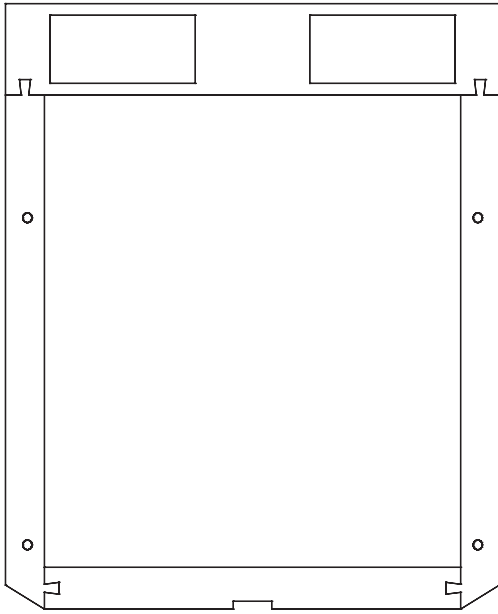
Model	Availability	Voltage	Hz	Full Load Amps	Phase	BTU/Hr. @ Max Ambient Temperature	Max Ambient Temperature (°F/°C)	Shipping Weight (lb./kg)
MHB11-0216-G306	STOCK	115	50/60	9.6/8.4	1	2200/2400	125/52	90/41
MHB11-0216-G3XX		115	50/60	9.6/8.4	1	2200/2400	125/52	90/41
MHB11-0226-G306	STOCK	230	50/60	4.3/4.2	1	2100/2400	125/52	90/41
MHB11-0226-G3XX		230	50/60	4.3/4.2	1	2100/2400	125/52	90/41
MHB11-0416-G307	STOCK	110/115	50/60	14.7/13.6	1	3300/4000	125/52	108/49
MHB11-0416-G3XX		110/115	50/60	14.7/13.6	1	3300/4000	125/52	108/49
MHB11-0426-G306	STOCK	220/230	50/60	8.0/7.5	1	3300/4000	125/52	108/49
MHB11-0426-G3XX		220/230	50/60	8.0/7.5	1	3300/4000	125/52	108/49

-XXX will be replaced with a three-digit number designating all desired options. Consult the factory for specific model numbers.

MHB11 DIMENSIONAL DRAWING



MHB11 MOUNTING GASKET AND CUTOUT DIMENSIONS

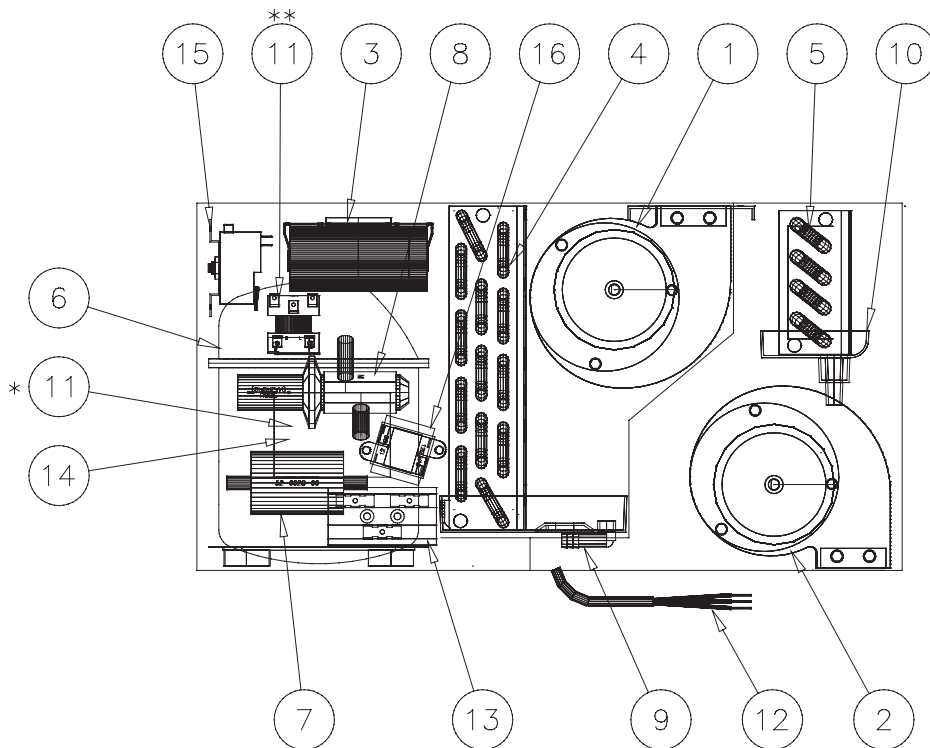


Mounting gasket kit 11-1000-50 included. Apply gasket to the bottom of the air conditioner before mounting to enclosure.

1. Dashed lines represent air conditioner.
2. Cutout dimensions are for standard unit.

MHB11 COMPONENTS LIST

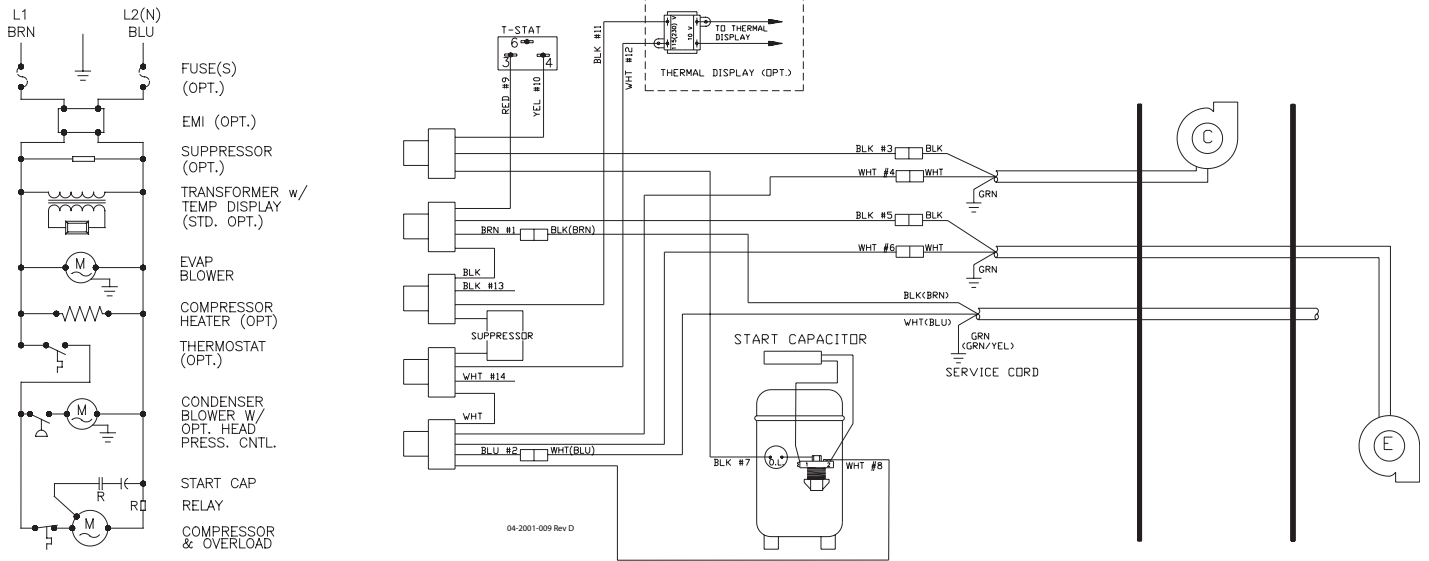
Part Description	Item Number	Part Number (115 Volt)		Part Number (230 Volt)	
		2200 BTU	4000 BTU	2200 BTU	4000 BTU
Blower, Condenser	1	28-1064-06M	28-1064-06M	28-1064-05M	28-1064-05M
Blower, Evaporator	2	28-1064-06M	28-1064-06M	28-1064-05M	28-1064-05M
Capacitor, Compressor, Start	3	N/A	10-1032-13	N/A	10-1032-14
Coil, Condenser	4	11-3001-03	11-3001-03	11-3001-03	11-3001-03
Coil, Evaporator	5	11-1002-00	11-1002-00	11-1002-00	11-1002-00
Compressor, AE/AK/AE/AK	6	29747	10-1016-26	29748	10-1026-77
Control Panel Assembly, Wide	N/S	10-1106-101	10-1106-101	10-1106-101	10-1106-101
Filter, Air, Reusable, Wide	N/S	10-1000-56	10-1000-56	10-1000-56	10-1000-56
Filter/Dryer	7	52-6028-00	52-6028-00	52-6028-00	52-6028-00
Grille, Front, Wide	N/S	10-1130-00	10-1130-00	10-1130-00	10-1130-00
Hot Gas By-Pass Valve	8	52-6027-16	52-6027-16	52-6027-16	52-6027-16
Pan, Condensate	9	10-1130-24	10-1130-24	10-1130-24	10-1130-24
Pan, Evaporator	10	10-1130-11	10-1130-11	10-1130-11	10-1130-11
Relay, Compressor, Start	11	N/A	10-1028-14	N/A	10-1028-15
Service Cord	12	52-6035-140	52-6035-143	52-6035-141	52-6035-141
Terminal Block	13	10-1003-31	10-1003-31	10-1003-31	10-1003-31
Thermal Overload, Compressor	14	N/A	10-1007-45	N/A	10-1007-51
Thermostat, SPST, 55-100F	15	10-1061-16	10-1061-16	10-1061-16	10-1061-16
Transformer, 10 VAC Secondary	16	10-1006-114	10-1006-114	10-1006-115	10-1006-115



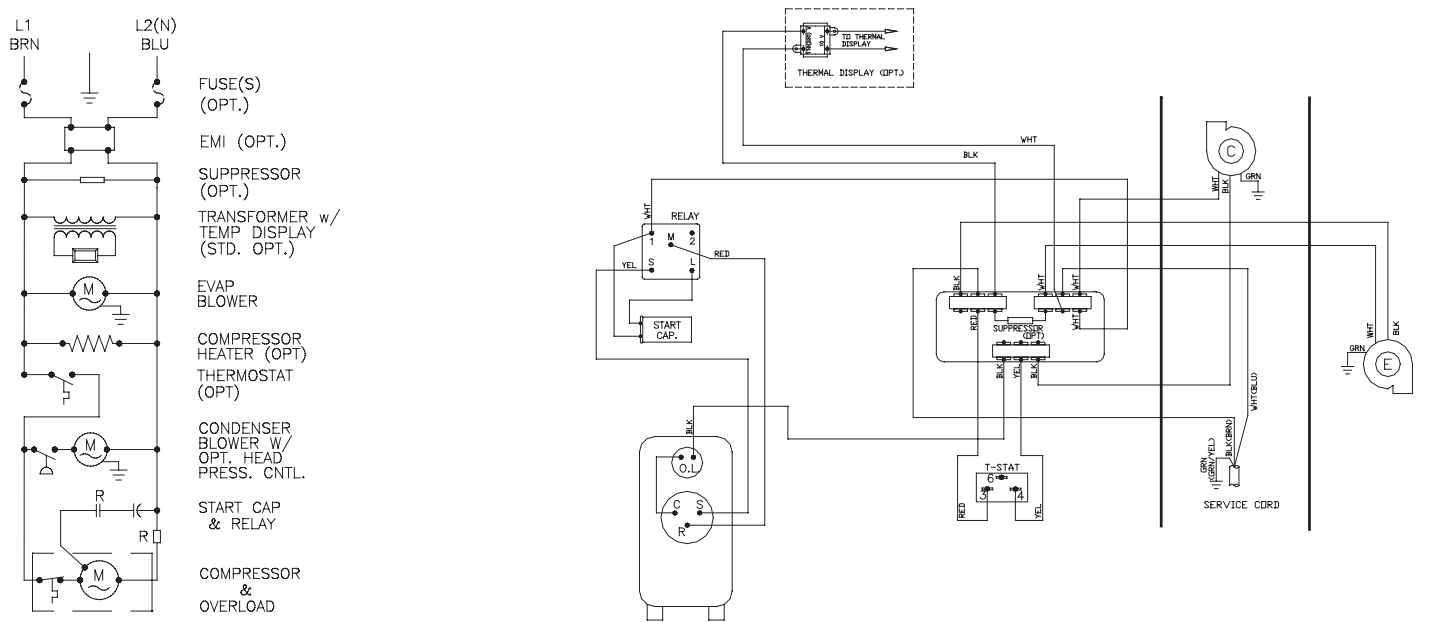
* 2200 BTU

** 4000 BTU

MHB11 SCHEMATIC AND WIRE DIAGRAM, 115 AND 230 VOLT, 2200 BTU



MHB11 SCHEMATIC AND WIRE DIAGRAM, 115/230 VOLT, 4000 BTU



NOTES

TEMPERATURE CONTROL

The electromechanical thermostat is factory preset to 75°F/23°C. To change the temperature setting, remove the front cover and screen. Use a standard screwdriver to adjust thermostat. For cooler temperatures turn clockwise, for warmer temperatures turn counterclockwise.

PRINCIPLES OF OPERATION

If electrical power to the air conditioner is interrupted and reapplied immediately, (within 3 to 5 seconds), the compressor may not restart due to the high back pressure of the compressor. It takes a minimum of one (1) minute after shut-down for the compressor suction and discharge pressures to equalize in order for the air conditioner to restart.

Operating the air conditioner below the minimum ambient temperature or above the maximum ambient temperatures indicated on the nameplate voids all warranties.

It is recommended that the warranty section of this manual be read in order to familiarize yourself with parameters of restricted operation.

The moisture that the enclosure air can contain is limited. If moisture flows from the drain tube continuously this can only mean that ambient air is entering the enclosure. Be aware that frequent opening of the enclosure's door admits humid air, which the air conditioner must then dehumidify.

MAINTENANCE

COMPRESSOR

The compressor requires no maintenance. It is hermetically sealed, properly lubricated at the factory and should provide years of satisfactory operating service.

Should the refrigerant charge be lost, recharging ports (access fittings) on the suction and discharge sides of the compressor are provided for recharging and/or checking suction and discharge pressures.

Under no circumstances should the access fitting covers be loosened, removed or tampered with.

Breaking of seals on compressor access fittings during warranty period will void warranty on hermetic system.

Recharging ports are provided for the ease and convenience of reputable refrigeration repair service personnel for recharging the air conditioner.

INLET AIR FILTER

Proper maintenance of the inlet air filter, located behind the front cover, will assure normal operation of the air conditioner. If filter maintenance is delayed or ignored, the maximum ambient temperatures under which the unit is designed to operate will be decreased.

If the compressor's operating temperature increases above designed conditions due to a dirty or clogged filter (or plugged condenser coil), the air conditioner's compressor will stop operating due to actuation of the thermal overload cutout switch located on the compressor housing. As soon as the compressor temperature has dropped to within the switch's cut-in setting, the compressor will restart automatically. However the above condition will continue to take place until the filter has been cleaned or replaced.

It is recommended that power to the air conditioner be interrupted intentionally when abnormally high compressor operating temperature causes automatic shutdown of the unit. The above described shutdown is symptomatic of clogged or dirty filter, thus causing a reduction in cooling airflow across the surface of the compressor and condenser coil.

Do not run the air conditioner for extended periods of time with the filter removed. Particles of dust, lint, etc., can plug the fins of the condenser coil which will give the same reaction as a plugged filter. The condenser coil is not visible through the filter opening, so protect it with a filter.

Continued operation under the above conditions can and will damage and shorten compressor life. The air conditioner is available with an easily removable inlet filter to facilitate necessary cleaning. There should be no reason to neglect this necessary maintenance.

HOW TO REMOVE, CLEAN OR INSTALL A NEW INLET AIR FILTER

RP aluminum washable air filters are designed to provide excellent filtering efficiency with a high dust holding capacity and a minimum amount of resistance to air flow. Because they are constructed entirely of aluminum they are lightweight and easy to service. Optimum filter performance is maintained by recoating the filters after washing with RP Super Filter Coat adhesive. To achieve maximum performance from your air handling equipment, air filters should be cleaned on a regular basis.

The inlet air filter is located behind the front cover. To access filter, pull ring protruding from slot in bottom of front cover. The filter may now be cleaned or new filter installed.

Cleaning Instructions:

1. Flush the filter with warm water from the exhaust side to the intake side. **DO NOT USE CAUSTICS.**
2. After flushing, allow filter to drain. Placing it with a corner down will assure complete drainage.
3. Recoat the filters with RP Super Filter Coat adhesive. When spraying filter do so from both sides for maximum concentration of adhesive.

CONDENSER AND EVAPORATOR AIR MOVERS

Blower and impeller motors require no maintenance. All bearings, shafts, etc. are lubricated during manufacturing for the life of the motor.

If the condenser blower motor (ambient blower) should fail, it is not necessary to remove the air conditioner from the cabinet or enclosure to replace the blower. The condenser blower is mounted on its own bulkhead and is easily accessible by removing the front cover.



CAUTION

Operation of the air conditioner in areas containing airborne caustics or chemicals can rapidly deteriorate filters, condenser coils, blowers and motors, etc. Contact Pentair Equipment Protection for special recommendations.

REFRIGERANT LOSS

Each air conditioner is thoroughly tested prior to leaving the factory to insure against refrigeration leaks. Shipping damage or microscopic leaks not found with sensitive electronic refrigerant leak detection equipment during manufacture may require repair or recharging of the system. This work should only be performed by qualified professionals, generally available through a local, reputable air conditioning repair or service company.

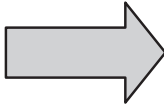
Refer to the data on the nameplate which specifies the type of refrigerant and the charge size in ounces.

Before recharging, make sure there are no leaks and that the system has been properly evacuated into a deep vacuum.

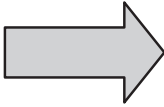
TROUBLE SHOOTING

BASIC AIR CONDITIONING TROUBLE SHOOTING CHECK LIST

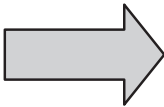
1. Check manufacturer's nameplate located on the unit for correct power supply.
2. Turn on power to the unit. The evaporator (Enclosure or "COLD" air) blower should come on. Is there airflow?

YES, proceed to step 3.
NO, possible problem: <ul style="list-style-type: none">• Open motor winding• Stuck blower motor• Obstructed blades

Repair or Replace defective part

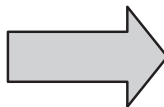
3. Check thermostat setting and adjust thermostat to the lowest setting. This should turn on the condenser blower and compressor. Did condenser blower and compressor come on when the thermostat was turned on?

YES, proceed to step 4.
NO, possible problem: <ul style="list-style-type: none">• Defective thermostat

Replace Part

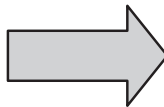
4. Are both blowers and the compressor running? If not the unit will not cool properly.
5. Check condenser (Ambient or "HOT" air) blower for airflow. Is there airflow?

YES, proceed to step 6.
NO, possible problem: <ul style="list-style-type: none">• Defective thermostat• Open motor winding• Stuck blower motor• Obstructed wheels/blades

Repair or Replace defective part

6. Carefully check the compressor for operation - motor should cause slight vibration, and the outer case of the compressor should be warm. Is the compressor showing signs of this?

YES, wait 5 minutes, then proceed to step 7.
NO, possible problem: <ul style="list-style-type: none">• Defective thermostat• Defective capacitor• Defective overload• Defective relay

Repair or Replace defective part

7. Make sure the coils are clean. Then check evaporator "air in" and "air out" temperatures. If the temperatures are the same:

<ul style="list-style-type: none">• Possible loss of refrigerant• Possible bad valves in the compressor

Repair or Replace defective part

8. To check for a bad thermostat, turn power to the unit off. Remove the control box cover and place both thermostat wires onto one terminal (replace control box cover for safety). This will activate the switch in the thermostat. Turn the power on and if both blowers and the compressor come on, the thermostat needs to be replaced.

SYMPTOMS AND POSSIBLE CAUSES:

SYMPTOM	POSSIBLE CAUSE
Unit won't cool	Impellers/blowers not running
	Compressor not running
	Compressor runs, but has bad valves
	Loss of refrigerant
Compressor tries to start but won't run	Low line voltage at start. Should be +/-10% rated voltage.
	Compressor motor stuck
	Bad contactor
	Bad overload switch
	Bad run/start capacitor
Unit blows breakers	Undersized breaker/fuse or not time delayed
	Short in system
Getting water in enclosure	Drain plugged
	Drain tube kinked
	Enclosure not sealed (allowing humidity in)

For additional technical information (i.e., amp draw, pressures, temperatures) , contact Pentair Equipment Protection at 800-896-2665.

NOTES

NOTES

WARRANTY

Pentair Equipment Protection warrants that the Goods manufactured by Pentair Equipment Protection will be free from defects in material and workmanship for a period of one (1) year from the date of shipment by Pentair Equipment Protection, subject to the following conditions and exclusions:

- C. Conditions. All Goods must be installed and operated according to the following specifications:
1. Maximum voltage variation no greater than plus or minus 10% of nameplate nominal rating;
 2. Maximum frequency variation no greater than plus or minus 3 Hz of nameplate nominal rating;
 3. Must not exceed minimum and maximum stated temperatures on the nameplate;
 4. Must not exceed (BTU/Hr) rating, including any heat sink as indicated on the nameplate;
 5. Refrigerant bearing Goods must not be restarted for a period of one (1) minute after intentional or accidental shut-off;
 6. The filters (if applicable) must be cleaned regularly;
 7. The Goods and any parts thereof must not be modified, unless prior written authorization is received from Pentair Equipment Protection; and
 8. All Goods must be installed and grounded in accordance with all relevant electrical and safety codes, as well as the National Electric Code and OSHA rules and regulations.
 9. All Goods must be installed in a stationery application, free of vibration.

A violation of any one of these conditions shall render the warranty hereunder void and of no effect.

- D. Exclusions. This warranty shall be void if product is misapplied in any way or:
1. Buyer specified product is inappropriate for system or environment in which it is operating.
 2. Goods are not installed in accordance with Pentair Equipment Protection specifications.
 3. Removal or modification of Pentair Equipment Protection label affixed to product without written Pentair Equipment Protection approval.

Pentair Equipment Protection must be notified of a claim in writing not later than fourteen (14) days from the date when Buyer has become aware of such occurrence, or where the defect is such that it may cause damage, immediately, such notice containing a description of how the defect manifests itself. Failure to provide such prompt notice to Pentair Equipment Protection shall result in forfeiture of Buyer's rights under this warranty.

In the event of a warranty claim, Buyer is to return defective goods to Pentair Equipment Protection in accordance with Pentair Equipment Protection Return Policy. Warranty period for repaired goods remains at 1 year from shipment of original goods. Pentair Equipment Protection sole obligation to Buyer under this warranty will be, at Pentair Equipment Protection option:

- A. Repair or replace Pentair Equipment Protection products or parts found to be defective in material or workmanship.
- B. Issue credit for the purchase price paid by Buyer relating to such defective Goods or part.

THIS WARRANTY CONSTITUTES THE ENTIRE WARRANTY WITH RESPECT TO THE GOODS AND IS IN LIEU OF ALL OTHER WARRANTIES, EXPRESSED OR IMPLIED, INCLUDING ANY IMPLIED WARRANTY OF MERCHANTABILITY AND IMPLIED WARRANTY OF FITNESS FOR A PARTICULAR PURPOSE.

RETURN AND REPAIR POLICY

Pentair Equipment Protection products that: (i) are made to order, (ii) have been modified by Buyer, (iii) have special finishes, or (iv) are determined by Pentair Equipment Protection to constitute "custom" products that cannot be returned to stock or resold to other Buyers, will not be accepted for return by Pentair Equipment Protection.

All returns require a Return Material Authorization number (RMA #), regardless of reason for return, whether it be for warranty or out of warranty repair. Returns without an RMA # will be refused by our Receiving Department. An RMA # is valid for 30 days.

- A. An RMA # will be issued by our Product Return Department in Anoka, MN at 763-422-2211. Buyer should have following information available at time of RMA request:
1. Complete Model Number, Serial Number and description of damaged unit being returned.
 2. Original Buyer Purchase Order number and date product was received by Buyer.
 3. Quantity to be returned and a brief description of failure for each unit, if different.
 4. Contact information of Buyer that must include: name of company, billing and shipping address, phone, number, fax number, freight carrier and the name and phone number of a Buyer contact who can elaborate on the claimed defect in detail.
 5. Buyer must provide a Repair Purchase Order number for both warranty and out of warranty repairs. The PO will not exceed 50% of a new unit. Buyer will be notified of repair charges that exceed approved PO amount.
- B. All returns to Pentair Equipment Protection must be securely packed, using original cartons if possible. All returns must have the RMA number visible on the outside of the carton. Pentair Equipment Protection is not responsible for material damaged in transit. Any refrigerant-bearing Goods must be shipped upright for return.
- C. Shipping cost for all non-warranty repairs is the responsibility of the sender and must be shipped prepaid. Shipping costs for all warranty related repairs will be covered by Pentair Equipment Protection provided the goods are returned using a Pentair Equipment Protection approved carrier. If after diagnoses the product is determined by Pentair Equipment Protection not be covered under warranty, Buyer will be responsible for all shipping charges and will be billed accordingly.
- D. Non-warranty repairs are subject to a \$105 minimum analysis fee. If approval is not received within 30 days, material will be scrapped and all shipping expenses and corresponding analysis fees will be billed to Buyer.
- E. At Buyer's request, Failure Analysis can be provided by Pentair Equipment Protection for warrantable goods at no charge. Failure analysis for non-warranty repairs are subject to a \$150 per hour Engineering charge plus any other incurred testing costs.
- F. All returned merchandise must be sent to the following address: Pentair Equipment Protection, 2100 Hoffman Way, Anoka, MN 55303-1745.
- G. Credit for accepted returns shall be at the original selling price or the current selling price, whichever is lower, less the restocking charge indicated as follows:
1. Within 60 days of invoice date - 20% of applicable selling price.
 2. Within 61-120 days of invoice date - 30% of applicable selling price.
 3. Within 121-180 days of invoice date - 40% of applicable selling price.
 4. Beyond 180 days - subject to individual review by Pentair Equipment Protection.
- If product being returned for credit requires repair or modification, the cost of any labor or material necessary to bring product into saleable condition will be deducted from credit. Buyer may not take credit against returns without prior written Pentair Equipment Protection approval.

LIMITATION OF LIABILITY

PENTAIR EQUIPMENT PROTECTION WILL NOT BE LIABLE UNDER ANY CIRCUMSTANCES FOR ANY INCIDENTAL, CONSEQUENTIAL OR SPECIAL DAMAGES, INCLUDING WITHOUT LIMITATION ANY LOST PROFITS OR LABOR COSTS, ARISING FROM THE SALE, USE OR INSTALLATION OF THE GOODS, FROM THE GOODS BEING INCORPORATED INTO OR BECOMING A COMPONENT OF ANOTHER PRODUCT, FROM ANY BREACH OF THIS AGREEMENT OR FROM ANY OTHER CAUSE WHATSOEVER, WHETHER BASED ON WARRANTY (EXPRESSED OR IMPLIED) OR OTHERWISE BASED ON CONTRACT, OR ON TORT OR OTHER THEORY OF LIABILITY, AND REGARDLESS OF ANY ADVICE OR REPRESENTATIONS THAT MAY HAVE BEEN RENDERED BY PENTAIR EQUIPMENT PROTECTION CONCERNING THE SALE, USE OR INSTALLATION OF THE GOODS.



Pentair Equipment Protection
2100 Hoffman Way
Minneapolis, MN 55303 USA
☎ +1.763.422.2211
📠 +1.763.576.3200

PentairProtect.com